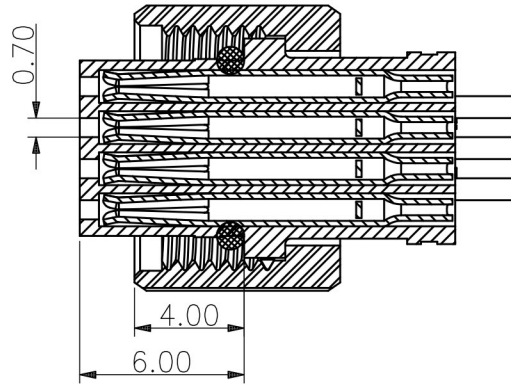
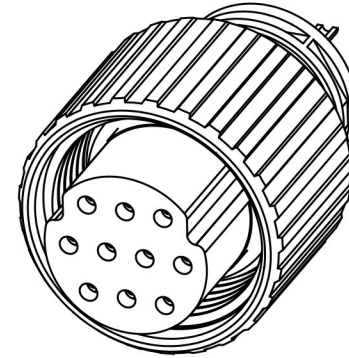


PROPRIETARY INFORMATION
COMPANY CONFIDENTIAL

REV	ECN. NO.	DESCRIPTION	ENG	DATE
A		INITIAL	Knight	07/20/15'



Section B-B

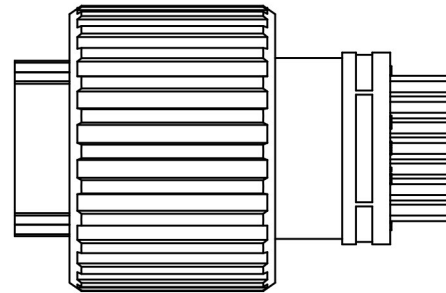
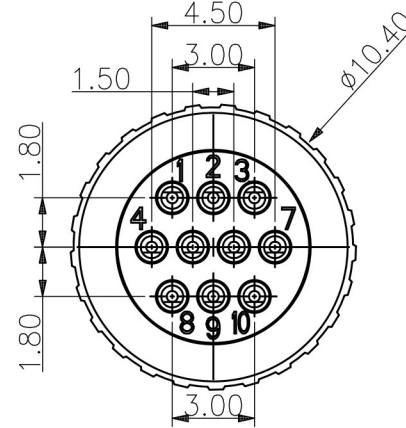
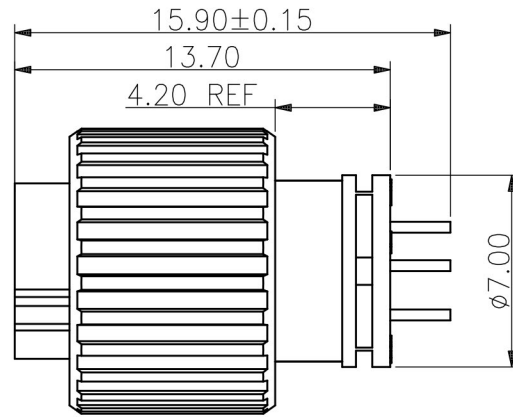
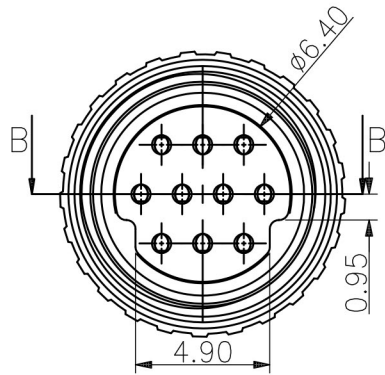


NOTES:

- Waterproof Rate:IP45
- ORDER INFORMATION

WAPV-26 10 - D K 1 0 P
① ② ③④⑤⑥⑦

- TYPE:
WAPV-26:WATERPROOF FEMALE
- POSITIONS:
10:10 POSITIONS
- INSULATOR MATERIAL:
D: PA66
- INSULATOR COLOR:
K: BLACK
- CONTACT PLATING:
1: GOLD FLASH
- SHIELD PLATING:
0: NONE SHIELD
- PACKING
P: PE BAG



ITEM	NAME	Q'TY	DESCRIPTION	NOTE
4	WATERPROOF CIRCLE	1	SILICA GEL	RED
3	COVER WITH THREAD	1	BRASS, NICKEL 30μ" MIN PLATING OVERALL	
2	CONTACT	10	PHOSPHOR BRONZE,GOLD FLASH PLATING ON CONTACT AREA,TIN 40μ" MIN PLATING SOLDER AREA,NICKEL 30μ" MIN UNDER PLATING OVERALL	
1	HOUSING	1	PA66+30%G.F	BLACK, UL94 V-0

GENERAL TOLERANCE X±0.50 .X±0.38 .XX±0.25 .XXX±0.15	ANGLE TOLERANCE X°±5.0° .X°±3.0° .XX°±2.0° .XXX°±1.0°	MATL SEE BOM	FINISH SEE NOTES	SCALE N/A	UNIT mm
SHEET 1 OF 1		DRAWN <i>Knight</i>		DATE 07/20/15'	
		CHECKED		DATE	
		APPROVED <i>River</i>		DATE 07/20/15'	

DRAWN <i>Knight</i>		DATE 07/20/15'	
CHECKED		DATE	
APPROVED <i>River</i>		DATE 07/20/15'	

GENESIS TECHNOLOGY, INC	
TITLE: WATERPROOF FEMALE	
PART NUMBER: WAPV-2610-DK10P	
DRAWING NO. GT26-210539	
SIZE A4	REV. A