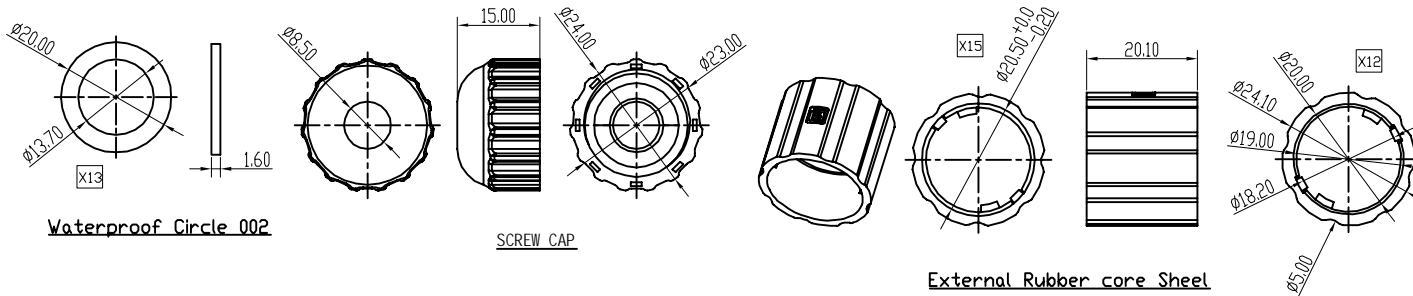
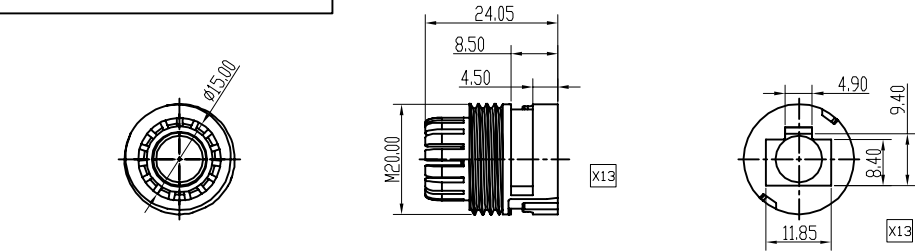


PROPRIETARY INFORMATION
COMPANY CONFIDENTIAL

REV.	ECN. NO.	DESCRIPTION	ENG	DATE
X4		UPDATE DRAWING	Knight	08/21/15'
X5		CORRECT ERROR	Knight	08/22/15'
X6		UPDATE DRAWING	Dan	10/15/15'
X7		UPDATE DRAWING	Dan	10/27/15'
X8		ADD CABLE SIZE OPTION	Dan	11/02/15'
X9		ADD $\phi 5.00$ CABLE SIZE OPTION	Dan	11/05/15'
X10		Merger CABLE SIZE OPTION	Dan	11/11/15'
X11		Design Changed	Tim	03/28/16'
X12		Update Drawing	Tim	06/06/16'
X13		Design Changed	Tim	06/28/16'
X14		Add Note 10	Tim	07/07/16'
X15		Correct	Tim	08/18/16'
X16		Add Color Option of Rubber	Tim	10/09/16'

Rubber core Sheel



NOTES:

1. Current Rating: 1.5Amp max @25°C
2. Voltage Rating: 35VAC max
3. Insulation Resistance: 500 megohms min
4. Contact Resistance: 30 milliohms max
5. Withstanding Voltage: 1000 VAC
6. Durability: 750 Cycles
7. Operating Temperature: -40°C~+85°C
8. Storage Temperature: -50°C~+75°C
9. Waterproof rate: IP67
10. Torque range: 15~20 lb.in

ORDER INFORMATION

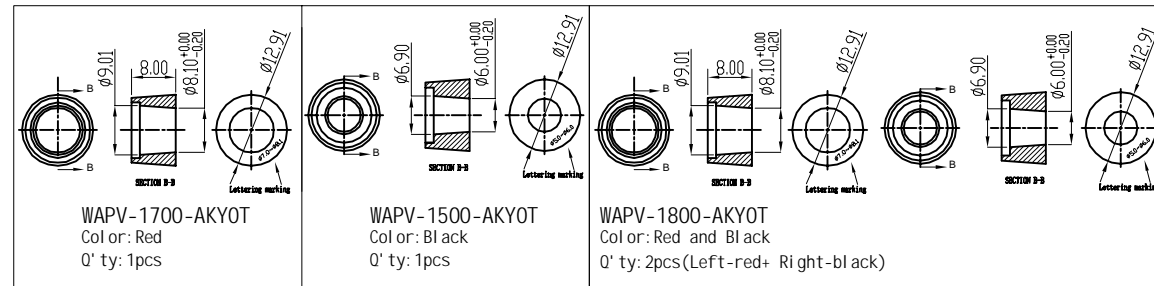
WAPV-1X 00 - A K Y 0 T
① ② ③④⑤⑥⑦

1. TYPE:

- WAPV-15: WATERPROOF RJ45 MALE FOR $\phi 5.0\sim 6.0$ mm CABLE
- WAPV-17: WATERPROOF RJ45 MALE FOR $\phi 7.0\sim 8.1$ mm CABLE
- WAPV-18: WATERPROOF RJ45 MALE FOR $\phi 5.0\sim 6.0$ mm/ $\phi 7.0\sim 8.1$ mm CABLE(Include 2 waterproof rubbers)

2. POSITIONS:
00: NONE POSITIONS
3. INSULATOR MATERIAL:
A: PA66
4. INSULATOR COLOR:
K: BLACK
5. CONTACT PLATING:
Y: NONE CONTACT
6. SHIELD PLATING:
0: NONE SHIELD
7. PACKING
T: TRAY

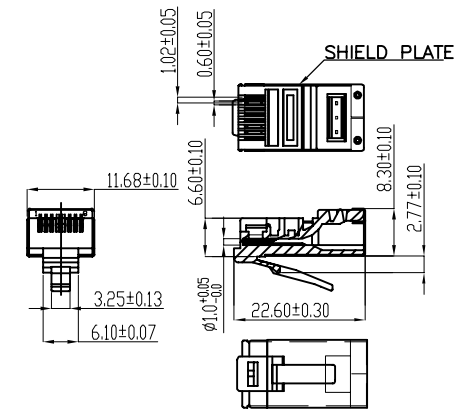
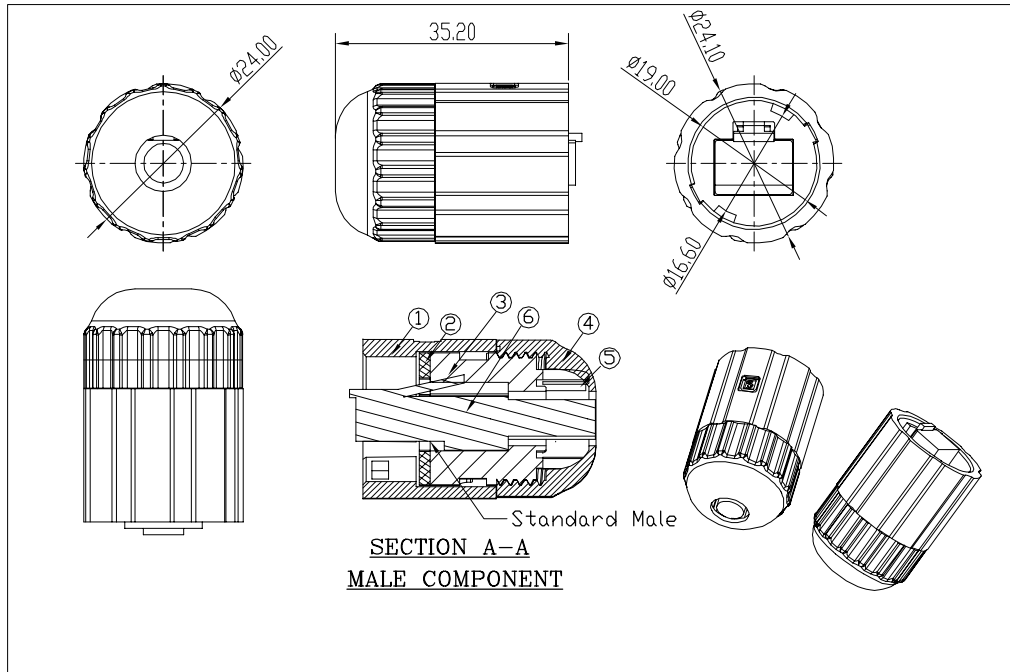
X16 Color Option



GENERAL TOLERANCE	ANGLE TOLERANCE	DRAWN	DATE	
X.± 0.50 .X± 0.38 .XX± 0.25 .XXX± 0.15	X°± 5.0° .X°± 3.0° .XX°± 2.0° .XXX°± 1.0°	Tim	10/09/16'	
MATL		CHECKED	DATE	PART NUMBER: WAPV-1X00-AKY0T
FINISH		Hill	10/09/16'	DRAWING NO. GT26-210535
SCALE N/A	UNIT mm	APPROVED	DATE	SIZE A4 REV. X16
SHEET 1 OF 1		Hill	10/09/16'	

PROPRIETARY INFORMATION
COMPANY CONFIDENTIAL

REV.	ECN. NO.	DESCRIPTION	ENG	DATE
X4		UPDATE DRAWING	Knight	08/21/15'
X5		CORRECT ERROR	Knight	08/22/15'
X6		UPDATE DRAWING	Dan	10/15/15'
X7		UPDATE DRAWING	Dan	10/27/15'
X8		ADD CABLE SIZE OPTION	Dan	11/02/15'
X9		ADD $\phi 5.00$ CABLE SIZE OPTION	Dan	11/05/15'
X10		Merger CABLE SIZE OPTION	Dan	11/11/15'
X11		Design Changed	Tim	03/28/16'
X12		Update Drawing	Tim	06/06/16'
X13		Design Changed	Tim	06/28/16'
X14		Add Note 10	Tim	07/07/16'
X15		Correct	Tim	08/18/16'
X16		Add Color Option of Rubber	Tim	10/09/16'



Male Standard Parts

ITEM	NAME	Q'TY	DESCRIPTION	NOTE
5	Waterproof Rubber Plug		SILICA GEL	Color See Option
4	Screw Cap	1	PA66 UL 94V-0	BLACK
3	Rubber core Sheel	1	PA66 UL 94V-0	BLACK
2	Waterproof Circle 002	1	SILICA GEL	Nature
1	External Rubber core Sheel	1	PA66 UL 94V-0	BLACK,

GENERAL TOLERANCE		ANGLE TOLERANCE	
X. ± 0.50	X° ± 5.0°		
.X ± 0.38	.X° ± 3.0°		
.XX ± 0.25	.XX° ± 2.0°		
.XXX ± 0.15	.XXX° ± 1.0°		
MATERIAL		FINISH	
SCALE <i>N/A</i>		UNIT <i>mm</i>	
SHEET 1 OF 1			

DRAWN	DATE
Tim	10/09/16'
CHECKED	DATE
Hill	10/09/16'
APPROVED	DATE
Hill	10/09/16'

GENESIS TECHNOLOGY, INC.	
TITLE: Waterproof RJ 45 Male	
PART NUMBER: WAPV-1X00-AKY0T	
DRAWING NO. GT26-210535	SIZE <i>A4</i>
	REV. <i>X16</i>