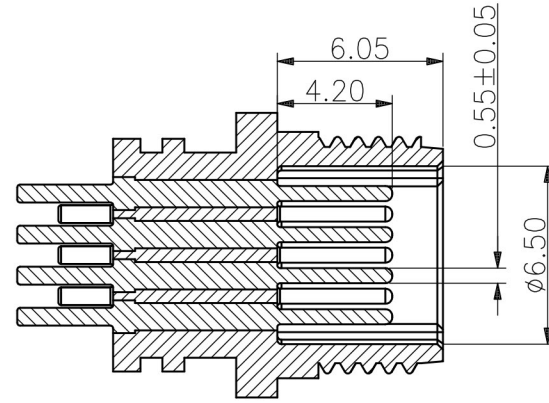
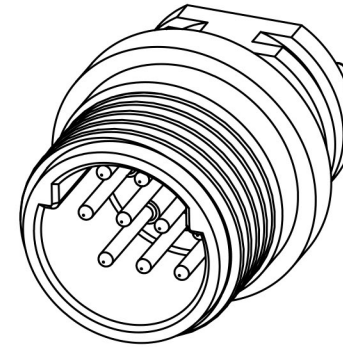


PROPRIETARY INFORMATION
COMPANY CONFIDENTIAL

REV	ECN. NO.	DESCRIPTION	ENG	DATE
A		INITIAL	Knight	07/20/15'



Section B-B

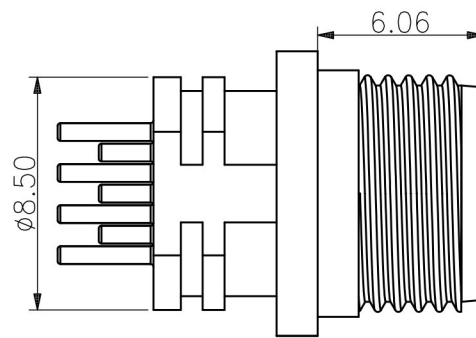
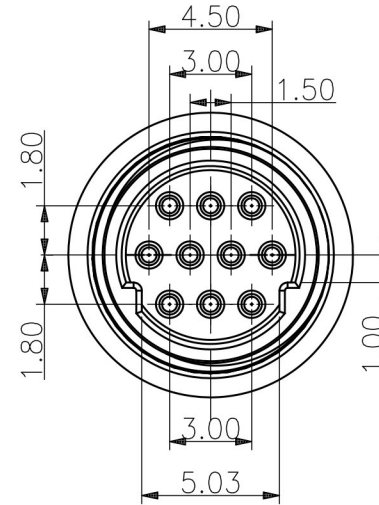
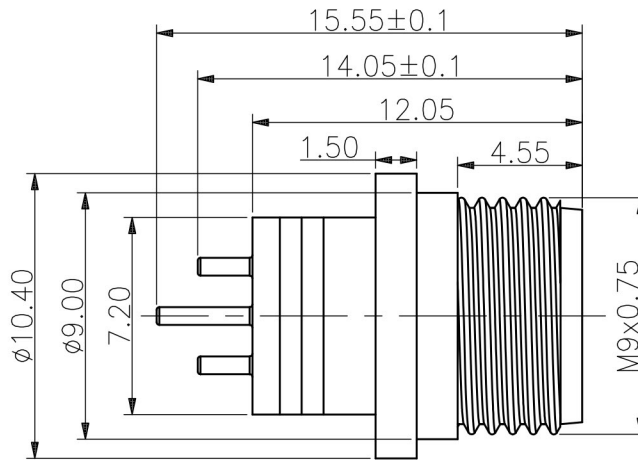
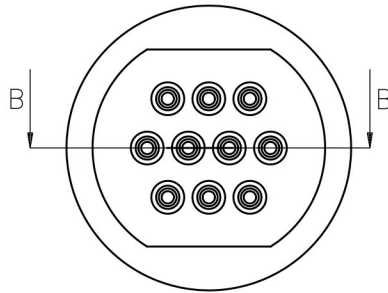


NOTES:

- Waterproof Rate:IP45
- ORDER INFORMATION

WAPV-16 10 - D K 1 0 P
① ② ③④⑤⑥⑦

- TYPE:
WAPV-26:WATERPROOF FEMALE
- POSITIONS:
10:10 POSITIONS
- INSULATOR MATERIAL:
D: PA66
- INSULATOR COLOR:
K: BLACK
- CONTACT PLATING:
1: GOLD FLASH
- SHIELD PLATING:
0: NONE SHIELD
- PACKING
P: PE BAG



GENERAL TOLERANCE	ANGLE TOLERANCE
X ± 0.50	X° ± 5.0°
.X ± 0.38	.X° ± 3.0°
.XX ± 0.25	.XX° ± 2.0°
.XXX ± 0.15	.XXX° ± 1.0°

DRAWN	DATE
<i>knighe</i>	07/20/15'
CHECKED	DATE

GENESIS TECHNOLOGY, INC.	
TITLE: WATERPROOF MALE	
PART NUMBER: WAPV-1610-DK10P	
DRAWING NO. GT26-210540	SIZE A4

ITEM	NAME	Q'TY	DESCRIPTION
2	CONTACT	10	BRASS,GOLD FLASH PLATING ON CONTACT AREA,NICKEL 30u" MIN UNDER PLATING OVERALL
1	HOUSING	1	PA66+30%G.F

SCALE	UNIT
N/A	mm
SHEET	OF
1	1

FINISH	SEE NOTES
APPROVED	DATE
<i>River</i>	07/20/15'

NOTE

REVISION	DATE