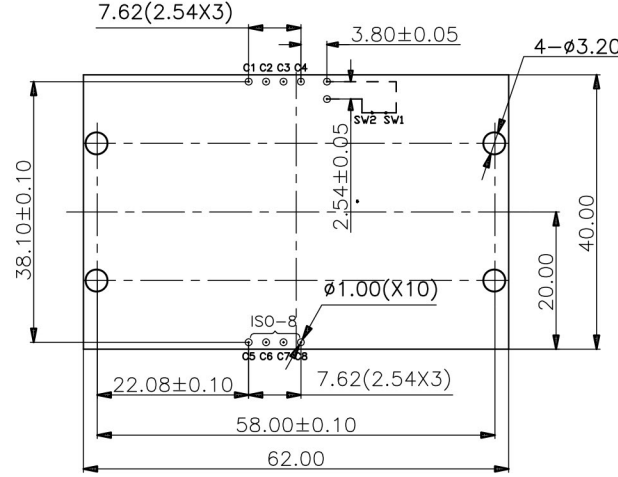
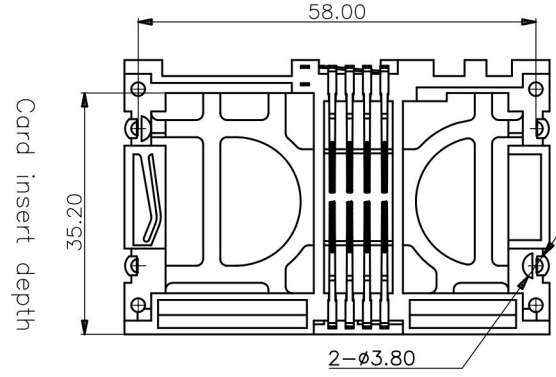


PROPRIETARY INFORMATION  
COMPANY CONFIDENTIAL

REV.	ECN. NO.	DESCRIPTION	ENG	DATE
A		INITIAL	Knight	03/11/15'



NOTES:

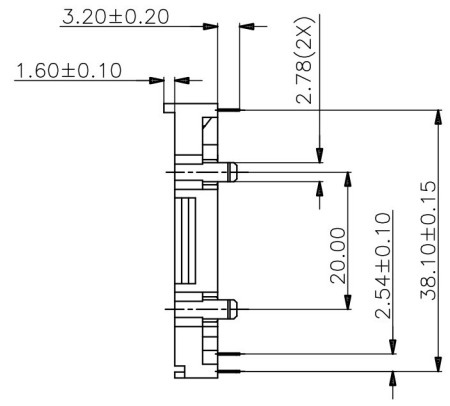
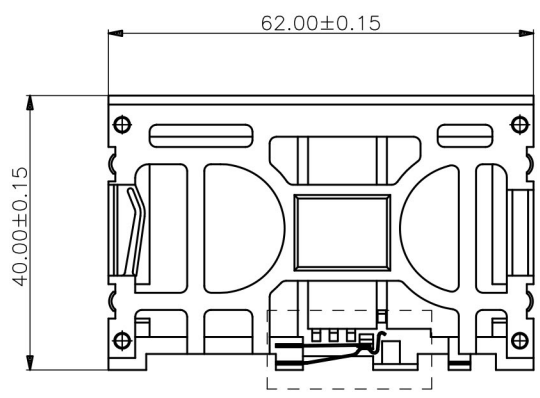
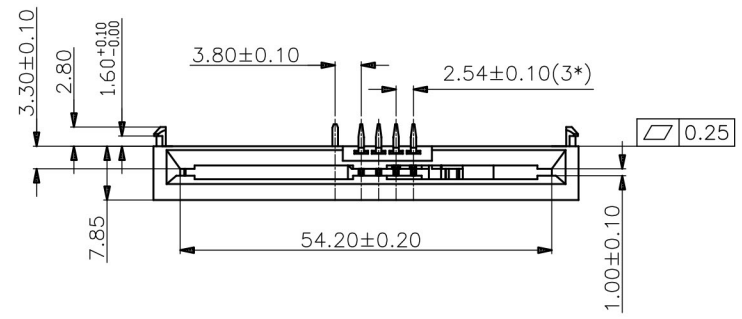
1. INSULATION RESISTANCE: 1000MΩ MIN
2. CONTACT RESISTANCE: 100mΩ MAX
3. DIELECTRIC WITHSTANDING VOLTAGE: 500V AC MAX
4. DURABILITY: 10,0000 CYCLES
5. RoHS COMPLIANCE

ORDER INFORMATION

SMCR-87 08 - A K H 0 T  
① ② ③ ④ ⑤ ⑥ ⑦

1. TYPE:  
SMCR-87:SMART CRAD CONNECTOR
2. POSITIONS:  
08:08 POSITIONS
3. INSULATOR MATERIAL:  
A: PBT
4. INSULATOR COLOR:  
K: BLACK
5. CONTACT PLATING:  
H: GOLD 2u"
6. SHIELD PLATING:  
0: NONE SHIELD
7. PACKING  
T: TRAY

Unit:mm; Tolerances:±0.10mm  
Reference dimension for PCB layout



ITEM	NAME	Q'TY	DESCRIPTION	NOTE
3	SWITH	1	PHOSPHOR BRONZE,GOLD „2u” MIN PLATING ON CONTACT AREA,TIN 80u” MIN PLATING SOLDER AREA,NICKEL 50u” MIN UNDER PLATING OVERALL	
2	CONTACT	08	PHOSPHOR BRONZE,GOLD „2u” MIN PLATING ON CONTACT AREA,TIN 80u” MIN PLATING SOLDER AREA,NICKEL 50u” MIN UNDER PLATING OVERALL	
1	HOUSING	1	PBT	BLACK, UL94 V-0

GENERAL TOLERANCE X±0.50 .X±0.38 .XX±0.25 .XXX±0.15	ANGLE TOLERANCE X°±5.0° .X°±3.0° .XX°±2.0° .XXX°±1.0°	DRAWN <i>Knight</i>	DATE 03/11/15'	
MATERIAL SEE BOM		CHECKED	DATE	
FINISH SEE NOTES		APPROVED <i>River</i>		PART NUMBER SMCR-8708-AKH0T
SCALE N/A	UNIT mm	DATE 03/11/15'		DRAWING NO. GT26-210430
SHEET 1 OF 1				SIZE A4 REV. A