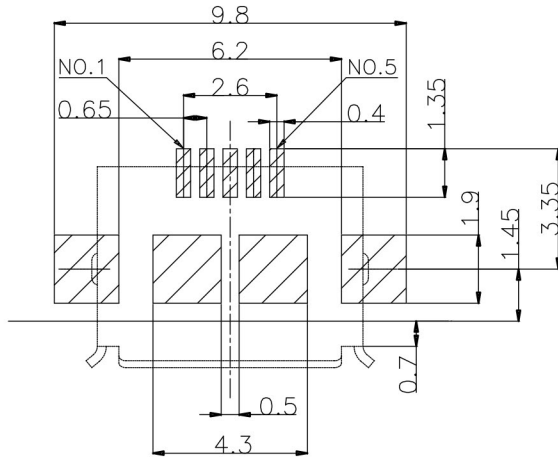
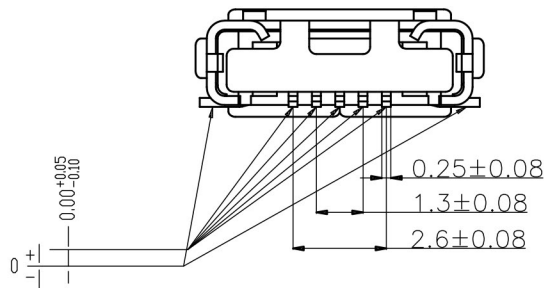
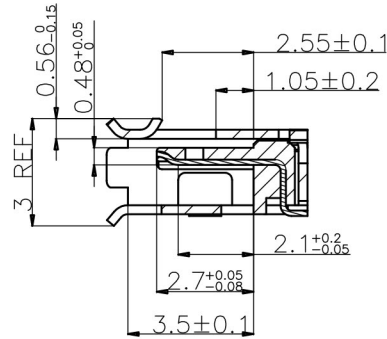
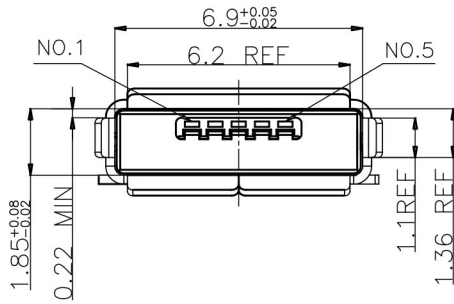
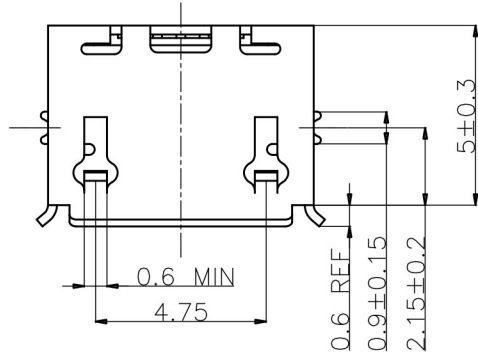


PROPRIETARY INFORMATION
COMPANY CONFIDENTIAL

REV	ECN. NO.	DESCRIPTION	ENG	DATE
A		INITIAL	Knight	01/16/15'



P.C.B LAYOUT TOLERANCE = ±0.05

NOTES:

- VOLTAGE RATING:100V AC;
- CURRENT RATING:PIN2,PIN3,PIN4 1A;PIN1,PIN5 1.8A
- INSULATION RESISTANCE:PRE TEST 1000M MIN,FINAL 100M MIN.
- CONTACT RESISTANCE :30m MAX
- DIELECTRIC WITHSTANDING: 500V AC
- TOTAL INSERTION FORCE:3.5Kg MAX
- TOTAL PULLING FORCE:0.8Kg MIN
- DURABILITY:10000 CYCLES.
- OPERATING TEMPERATURE RANGE:-20°C TO +85°C.

ORDER INFORMATION

MUCR-24 05 - B K X 3 R
① ② ③④⑤⑥⑦

- TYPE:
MUCR-24: MICRO USB AB RECEPTACLE SMT
- POSITIONS:
05: 05 POSITIONS
- INSULATOR MATERIAL:
B: LCP
- INSULATOR COLOR:
K: BLACK
- CONTACT PLATING:
6: GOLD 30u"
8: GOLD 6u"
- SHIELD PLATING:
3: NICKEL PLATING
- PACKING
R: TAPE&REEL

GENERAL TOLERANCE X±0.50 .X±0.38 .XX±0.25 .XXX±0.15	ANGLE TOLERANCE X°±5.0° .X°±3.0° .XX°±2.0° .XXX°±1.0°	DRAWN <i>knighe</i>	DATE 01/16/15'	
MATERIAL SEE BOM		CHECKED	DATE	
FINISH SEE NOTES		APPROVED <i>River</i>		DATE 01/16/15'
SCALE N/A	UNIT mm	SHEET 1 OF 1		PART NUMBER MUCR-2405-BKX3R DRAWING NO. GT26-210109 SIZE A4 REV. A

ITEM	NAME	Q'TY	DESCRIPTION	NOTE
3	SHELL	1	SUS, NICKEL 80u" MIN PLATING	
2	CONTACT	5	BRASS GOLD 30u" ON CONTACT AREA,120u" TIN PLATING ON SOLDER TAIL,50u" NICKEL UNDER PLATING OVERALL.	
1	HOUSING	1	LCP+30%G.F	BLACK, UL94 V-0