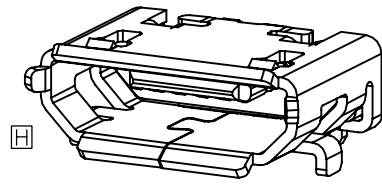
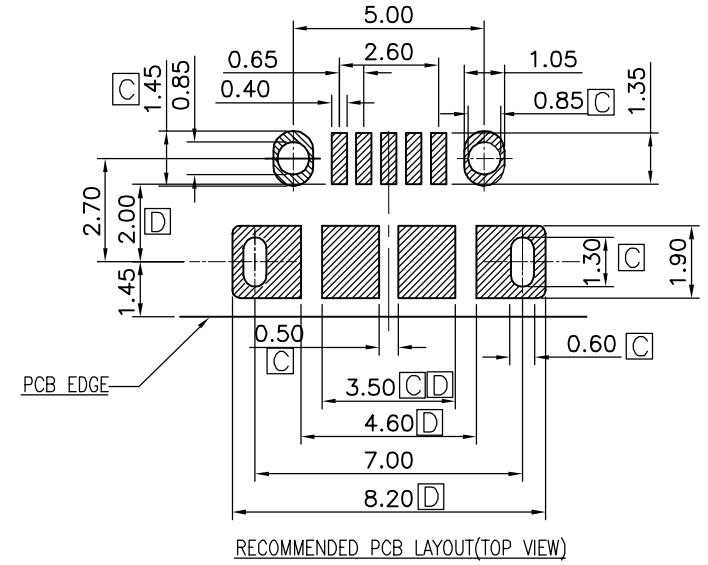
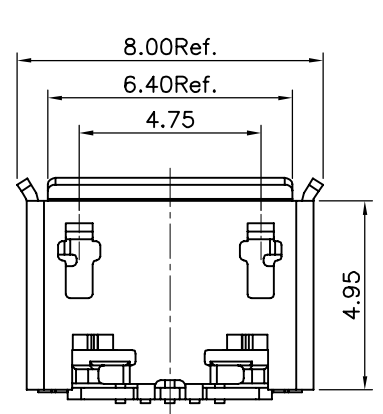
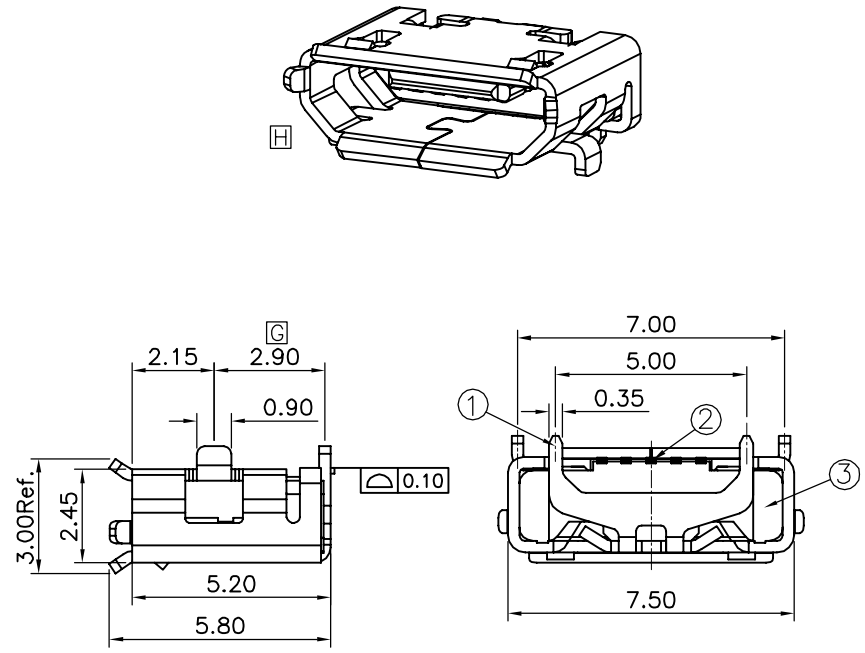
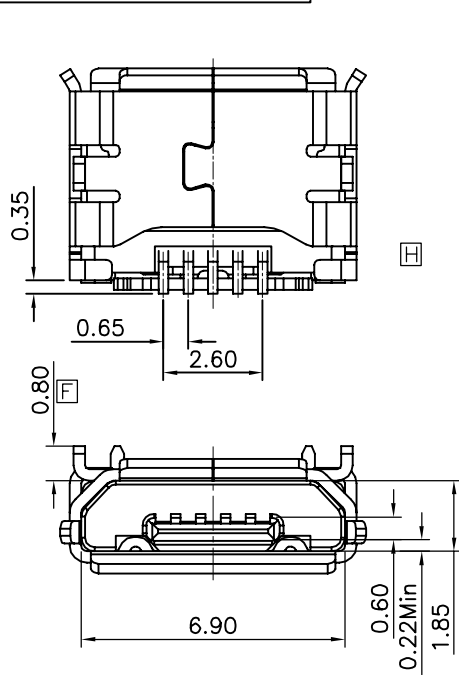


PROPRIETARY INFORMATION
COMPANY CONFIDENTIAL



REV	ECN. NO.	DESCRIPTION	ENG	DATE
A		INITIAL	Suo	07/29/14'
B		UPDATE DRAWING	Knight	11/07/14'
C		UPDATE PCB LAYOUT	Knight	11/11/14'
D		UPDATE PCB LAYOUT DIMENSION	Knight	11/18/14'
E		MODIFY BOM TABLE INFO,ADD SPEC	Knight	05/14/15'
F		UPDATE ORDER INFORMATION AND ADD DIMENSION	Knight	05/18/15'
G		UPDATE DIMENSION 2.70 TO 2.90	Knight	06/23/15'
H		UPDATE DRAWING	Hunter	04/19/17'

- NOTES:
- VOLTAGE RATING: 30V AC;
 - CURRENT RATING:PIN2,PIN3,PIN4 1A;PIN1,PIN5 1.8A
 - INSULATION RESISTANCE:PRE TEST 1000MΩ MIN, FINAL 100MΩ MIN.
 - CONTACT RESISTANCE :30mΩ MAX;
 - DIELECTRIC WITHSTANDING: 500V AC;
 - OPERATING TEMPERATURE RANGE:-20°C TO +85°C.
 - TOTAL INSERTION FORCE:3.5Kgf MAX;
 - TOTAL PULLING FORCE:0.8Kgf MIN;
 - DURABILITY: 10,000 CYCLES MIN
 - RoHS COMPLIANCE
 - SOLDERING TEMPERATURE:260°C AT 3~5 SECONDS

MUBR-2J 05 - F K X 1 R
① ② ③ ④ ⑤ ⑥ ⑦

- ORDER INFORMATION
- TYPE:
MUBR-2J: MIRCO USB 5PIN SMT
 - POSITIONS:
05: 05 POSITIONS
 - INSULATOR MATERIAL:
F: PA9T
K: BLACK
 - CONTACT PLATING:
1: GOLD FLASH
6: GOLD 30u"
 - SHIELD PLATING:
1: TIN PLATING
 - PACKING
R: TAPE&REEL

ITEM	NAME	QTY	DESCRIPTION	NOTE
3	SHELL	1	SUS,TIN 80u" MIN PLATING OVER Cu 50u" MIN UNDER PLATING OVERALL	
2	CANTACT	5	BRASS,GOLD PLATING ON CONTACT AREA,TIN 100u" MIN PLATING ON SOLDER TAIL,NICKEL 50u" MIN UNDER PLATING OVERALL	
1	HOUSING	1	PA9T	BLACK,UL94 V-0

GENERAL TOLERANCE		ANGLE TOLERANCE		DRAWN	DATE	GENESIS TECHNOLOGY,INC	TITLE: MIRCO USB 5PIN SMT
X.± 0.50	.X± 0.38	X°± 5.0°	.X°± 3.0°	Hunter	04/19/17'		
.XX± 0.25	.XXX± 0.15	.XX°± 2.0°	.XXX°± 1.0°			SIZE A4	
MATERIAL: SEE BOM				APPROVED	DATE		REV. H
FINISH: SEE NOTES				Lucky	04/19/17'		
SCALE: N/A		UNIT: mm		SHEET 1 OF 1			