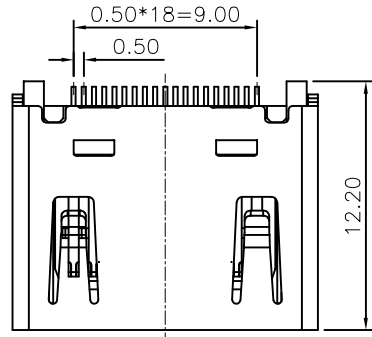
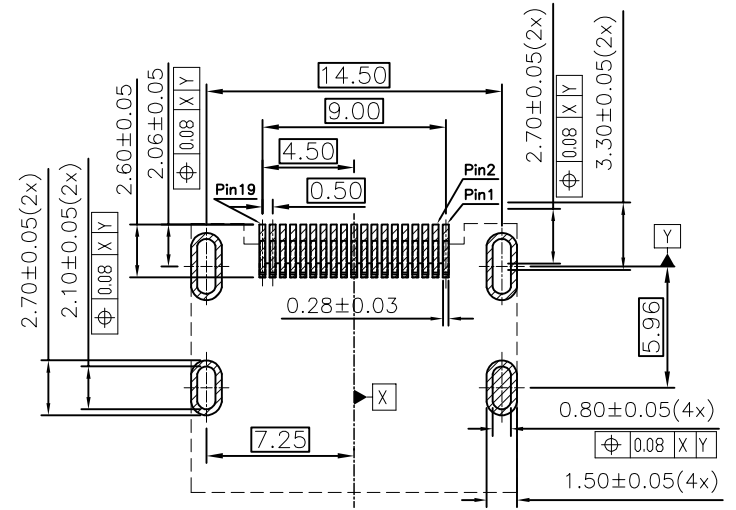
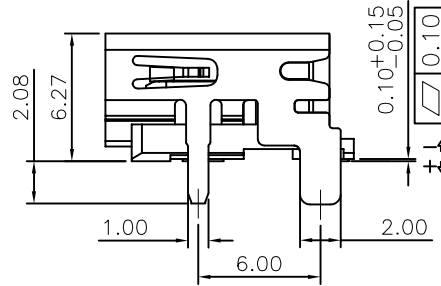
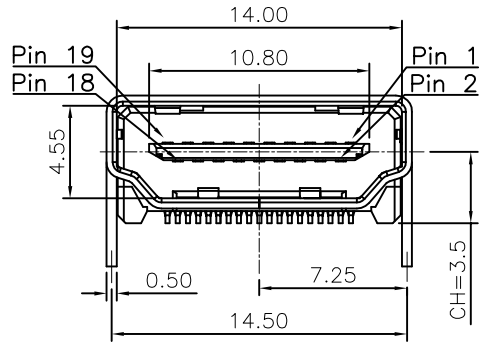


PROPRIETARY INFORMATION
COMPANY CONFIDENTIAL

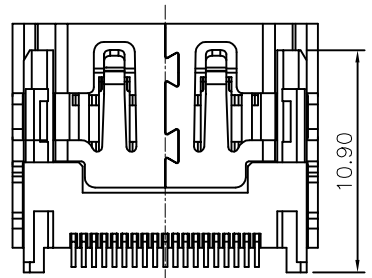
REV.	ECN. NO.	DESCRIPTION	ENG	DATE
A		INITIAL	Sun	11/21/2014
B		UPDATE DRAWING	Lucky	07/26/2016



PACKING: T&R



RECOMMENDED P.C.BOARD LAYOUT (TOP VIEW) PAD AREA
TOLERANCES UNLESS OTHERWISE SPEC.±0.05 KEEP OUT AREA



ITEM	NAME	Q'TY	DESCRIPTION
3	SHELL	1	BRASS PLATING NICKEL 80u" OVERALL
2	CONTACT	19	BRASS,GOLD FLASH PLATING ON CONTACT AREA, MATTE TIN 100u" PLATING ON SOLDER AREA,NICKEL 50u"MIN UNDERPLATING OVERALL
1	HOUSING	1	LCP BLACK

UL94-V0	SCALE	N/A	UNIT	mm
NOTE	SHEET	1	OF	1

GENERAL TOLERANCE	ANGLE TOLERANCE	DRAWN	DATE
X.±0.30	X'± 5.0'	Lucky	07/26/16'
.X±0.20	.X'± 3.0'	CHECKED	DATE
.XX±0.10	.XX'± 1.0'	APPROVED	DATE
		River	07/26/16'

		TITLE.	HDMI R/A SMT TYPE
		PART NUMBER.	HDAR-8E19-BK13T
DRAWING NO.	GT23-210271	SIZE	A4
REV.	B		