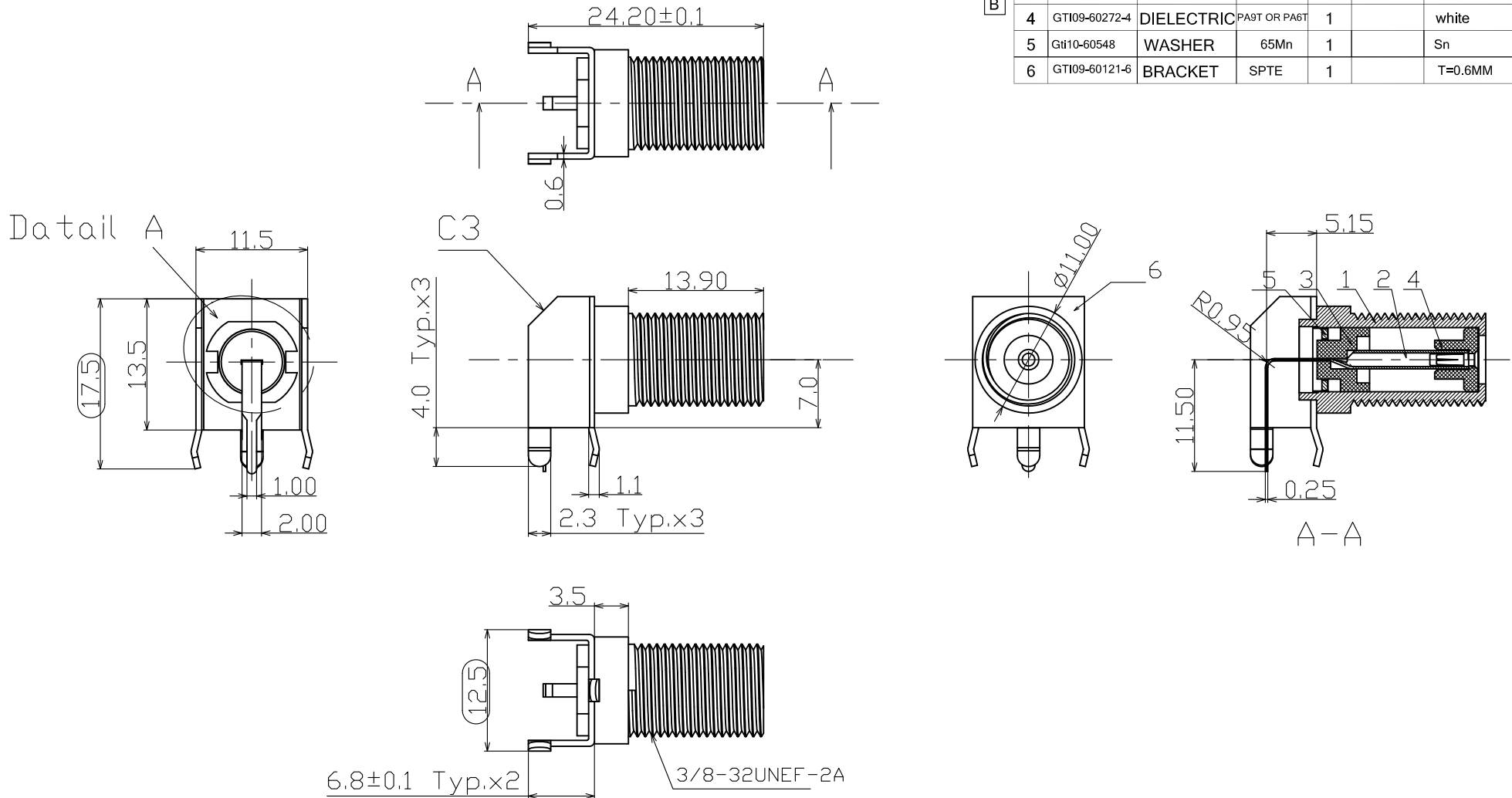


No.	P/N	Description	Material	Qty	Ratio/g	Finish
1	Gti10-60596-1	BODY	BRASS or Zn	1		TIN [C]
2	GTI09-60121-2	CENTRE PIN	BeCu	1		TIN
3	GTI09-60272-3	DIELECTRIC	PA9T OR PA6T	1		white
4	GTI09-60272-4	DIELECTRIC	PA9T OR PA6T	1		white
5	Gti10-60548	WASHER	65Mn	1		Sn
6	GTI09-60121-6	BRACKET	SPTe	1		T=0.6MM



				TOLERANCE				TITLE: R/A PCB MOUNT 13.9MM F CONN W/O FLATS 166-2100203			
				LINEAR	ANGLES			PART NO.			
[C]	plating of body change to Tin	VINCE	11/08/11'	X. ±	X° ±0.5°	APPD:	MAT'L:	DWG NO. Gti10-60596			
[B]	change the dielectric colour from black to white	Eva	09/29/11'	.X ± 0.20	.X° ±	CHKD:	FINISH:	UNITS	SCALE	SHEET	REV
[A]	ECN-1107-008	Eva	07/19/11'	.XX ± 0.10	.XX° ±	DRWN:	Q'TY:	MM	2:1	1 OF 2	C
REV	ECN NO.	NAME	DATE	.XXX ±	.XXX° ±						

Bracket Can Material Specs

- 1) Material, 0.6mm Sheet, Electrolytic Tin Plated Steel, SPTE, Or Equivalent
- 2) Finish: Bright, Must pass solderability qualification.
- 3) Degrease and Deliver Free of Oil and Loose Material.
- 4) Swage Assemble F-Connector onto shield Connector shall withstand 400 N*cm of Rotational Torque and a minimum of 45lbs of linear pull force without mechanical failure, or rotation. Torque should be applied to a connector in a vise and supported so that the sheet metal walls/fence cannot bend. Failure occurs when the barrel rotates 12.5 degrees.

Electrical Specs

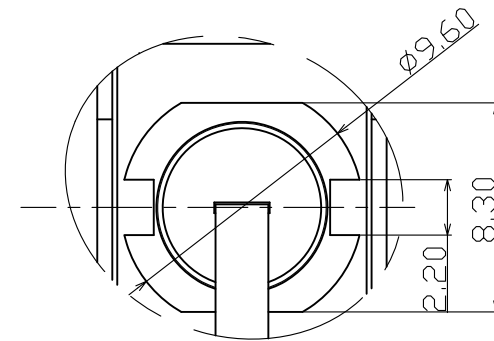
- 1) Impedance: 75ohm (NOM).
- 2) Insulation Resistance: 500 Meg, Ohm (Min)
- 3) Min Withstanding: 1.2KVAC/1 minute
- 4) Contact Resistance: 20mOhm Max
- 5) Freq, Range: 0 to 2200MHz .
- 6) Return Loss: -20dB (Test condition G602578A)

F Connector Material Specs

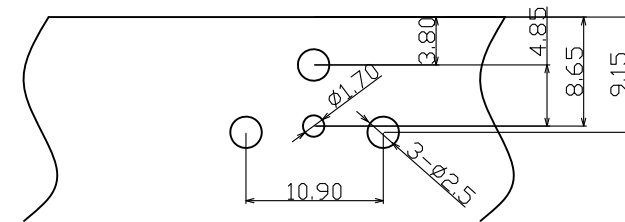
- 1) Bushing/Body: Zinc or Brass - Tin Plating
- 2) Insulator: Polypropylene \ PA9T OR PA6T (White) UL94-V0 or better flame rating, Must withstand 260° C for 5sec without deforming or discolor
- 3) Center Pin\internal terminal contact: Beryllium copper w/Tin Plating
- 4) WASHER - 65MN STEEL
- 5) Operating\storage Temp: -25° to 80°
- 6) Possible Insertion Depth: 9.65mm Minimum
- 7) Initial contact depth from front face: 5mm Max

Other

- 1) RoHS Compliant
- 2) CONNECTOR DESIGN AND ALL DIMENSIONS MARKED WITH * SHOULD COMPLY WITH ANSI SCTE 02 2006



DETAIL A
2:1



PCB LAYOUT

				TOLERANCE				TITLE: R/A PCB MOUNT 13.9MM F CONN W/O FLATS 166-2100203				
				LINEAR	ANGLES			PART NO.				
[C]	plating of body change to Tin	VINCE	11/08/11'	X. ±	X° ±0.5°	APPD:	MAT'L:	DWG NO. Gti10-60596				
[B]	change the dielectric colour from black to white	Eva	09/29/11'	.X ± 0.20	.X° ±	CHKD:	FINISH:	UNITS	SCALE	SHEET	REV	
[A]	ECN-1107-008	Eva	07/19/11'	.XX ± 0.10	.XX° ±	DRWN:	Q'TY:	MM	2:1	2 OF 2	C	
REV	ECN NO.	NAME	DATE	.XXX ±	.XXX° ±							