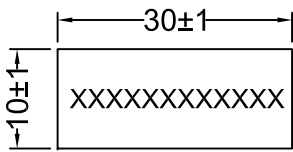
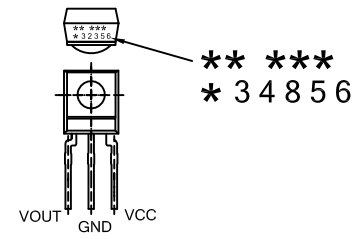
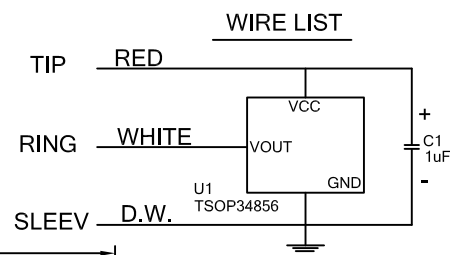
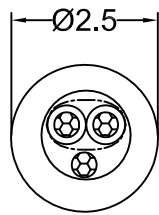
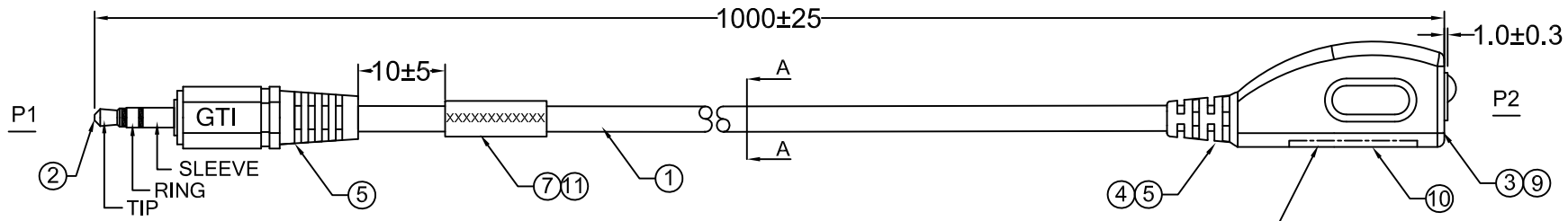


REV.	ECN. NO.	DESCRIPTION	ENG	DATE
X1		INITIAL	AXL	2/8/12'
X2		CORRECT IR PIN OUT AND CHANGE NOTES4	AXL	2/9/12'
X3		Changed the Package & Revised drawing	Bolin	2/18/12'
X4		Update the Label P/N to XXXXXXXXXXXXX	Bolin	2/21/12'
X5		ADD PACKAGE METHOD FOR CISCO AND CORRECT PLUG PART NUMBER	AXL	3/27/12'
X6		CORRECT P/N TYPO. ON BOM ITEM#2 AND BAG SIZE ON ZONE 6A OF SHEET 2	AXL	3/29/12'
X7		CHANGE PLUG NICKEL PLATING WAS 30u" AND ADD NOTE 6	AXL	4/10/12'
X8		ADD EVERLIGHT PART NUMBER ON BOM FOR IR RECEIVER	AXL	12/10/13'



P/N LABEL
CUSTOMER P/N SEE THE PO
[X4]

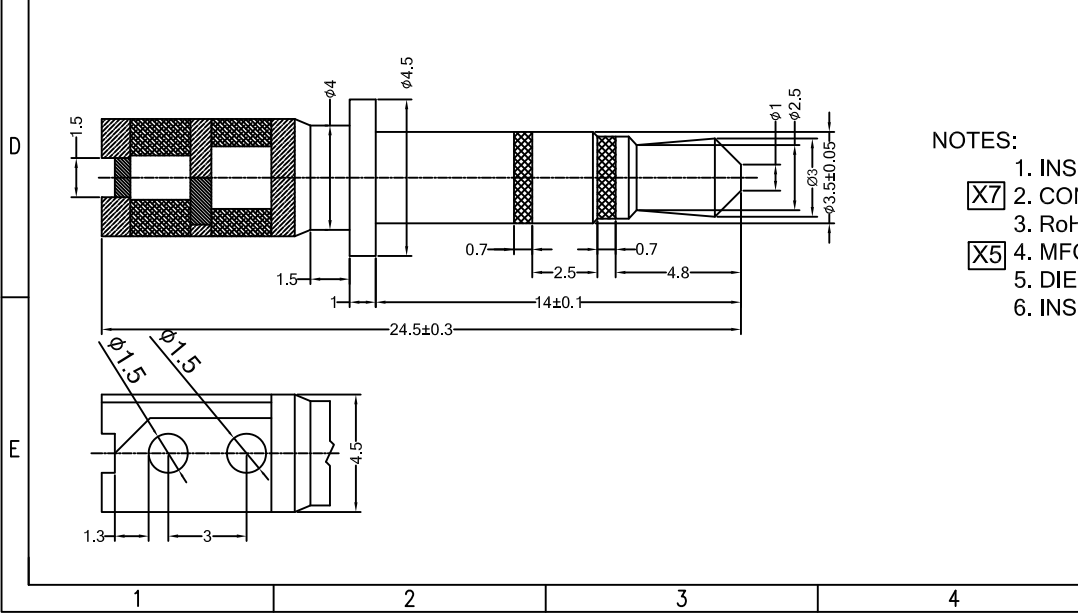
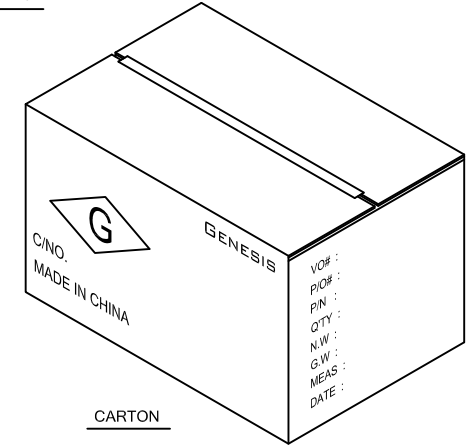
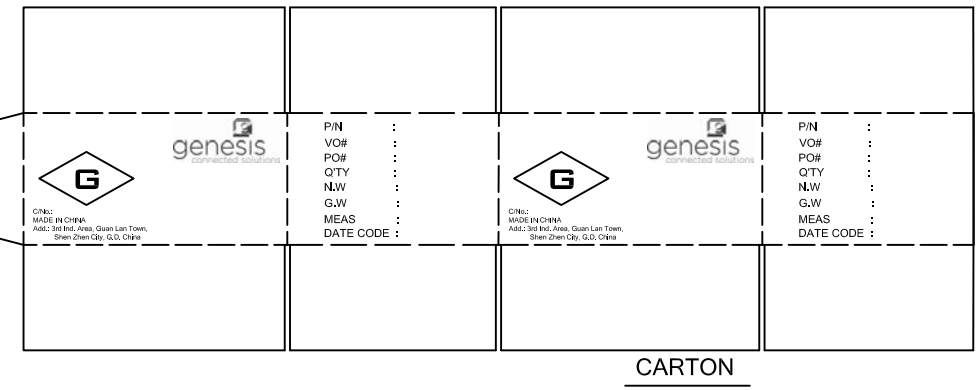
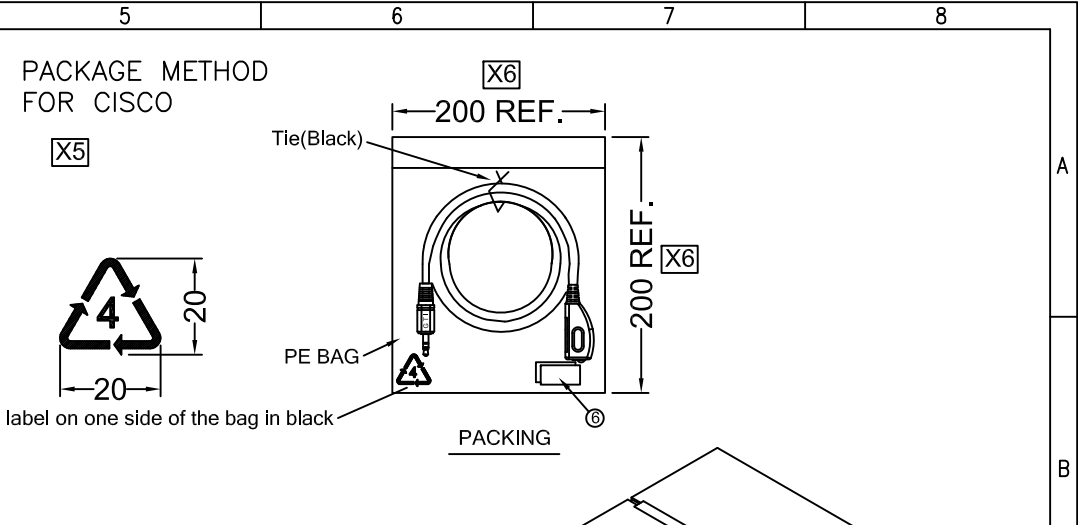
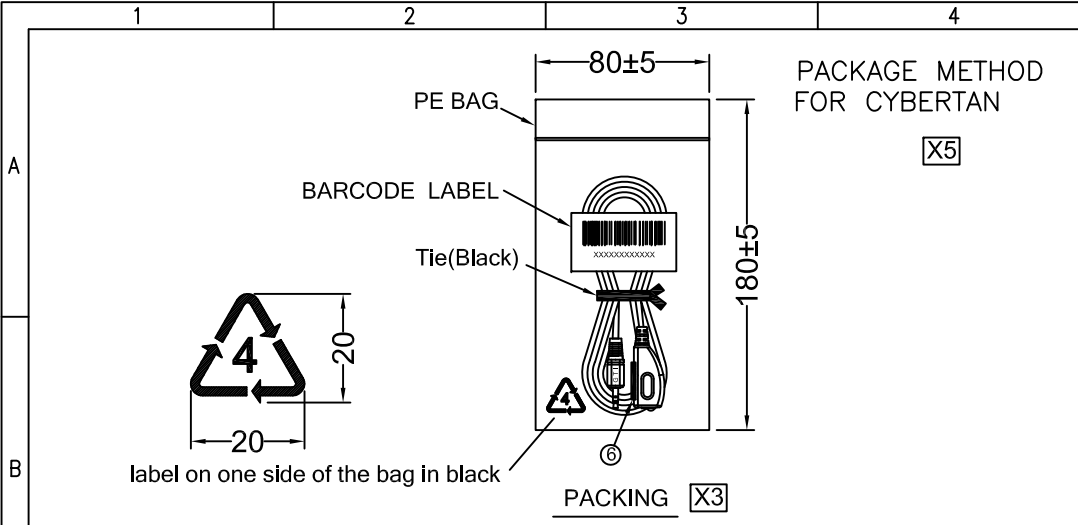


BARCODE LABEL
CUSTOMER P/N SEE THE PO
[X4]

- NOTES:
- 1.Cable:[28awg(7/0.12)*1P+AL/MY+D.W.]TIN,Color:Black.
 - 2.100% TEST,OPEN,SHORT AND MISWIRE.
 - 3.RoHS 6/6 Compliant.
 - 4.Date Code Show on Shipping Carton.
 - 5.Put ABS insert after overmolding on P2 side.
 - 6.Rough weight: 26g/pcs.

ITEM	NAME	Q'TY	DESCRIPTION	NOTE
12	BARCODE LABEL	1pcs	PAPER+PVC.	
11	H.S.T.	30mm	H.S.T. Ø3.0mm,CLEAR.	
10	INSERT	1pcs	ABS,Black.	
9	CAPACITOR	1pcs	1uF,50V,±20%.	
8	PE BAG	1pcs	CLEAR	
7	P/N LABEL	1pcs	PAPER+PVC.	
6	VELCRO	1set	HOOK AND LOOP.	
5	OVER-MOLD	20g	60°C 45P PVC COLOR:BLACK.	
4	PRE-MOLD	8g	PE, LOW DENSITY	
3	IR RECEIVER	1pcs	VISHAY TSOP 34856 OR EVERLIGHT IRM-3656M3 [X8]	
2	PHONE PLUG	1pcs	Ø3.5mm STEREO, NICKEL PLATED.	[X6] DCJW-1101-QKB3P91
1	CABLE	990mm	UL2725,28AWG(7/0.12)*1P+AL/MY+D.W.,OD: 2.5mm, COLOR:BLACK	

GENERAL TOLERANCE	ANGLE TOLERANCE	DRAWN	DATE	genesis connected solutions
X.± .X±0.40 .XX±0.30 .XXX±0.20	X°± .X°± .XX°± .XXX°±	AXL	2/8/12'	
MATERIAL SEE BOM		CHECKED	DATE	PART NUMBER: GT17-300125
FINISH SEE NOTES		APPROVED	DATE	DRAWING NO. GT17-300125
SCALE N/A	UNIT mm			SIZE A4 REV: X8
SHEET 1 OF 2				



- NOTES:
- X7 1. INSULATION MATERIAL:P.P. COLOR:BLACK.
 - 2. CONNECTOR MATERIAL:BRASS,NICKEL PLATED 50u".
 - 3. RoHS 6/6 COMPLIANT.
 - X5 4. MFG PART NUMBER: DCJW-1101-QKB3P91.
 - 5. DIELECTRIC STRENGTH: 250 VAC.
 - 6. INSULATION RESISTANCE: 100 M ohms min.

GENERAL TOLERANCE X.± .X±0.40 .XX±0.30 .XXX±0.20	ANGLE TOLERANCE X°± .X°± .XX°± .XXX°±	DRAWN AXL	DATE 2/8/12'	 genesis connected solutions
MATERIAL SEE BOM		DESIGN	DATE	
FINISH SEE NOTES		CHECKED	DATE	PART NUMBER GT17-300125
SCALE N/A	UNIT mm	APPROVED	DATE	DRAWING NO. GT17-300125
SHEET 2 OF 2				SIZE A4 REV: X8