

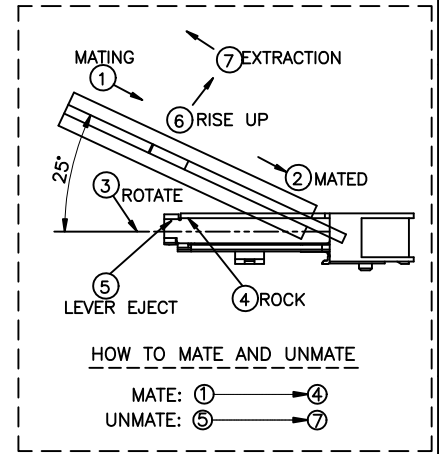
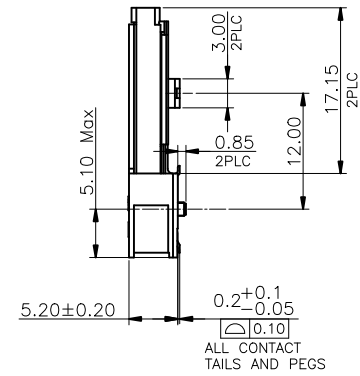
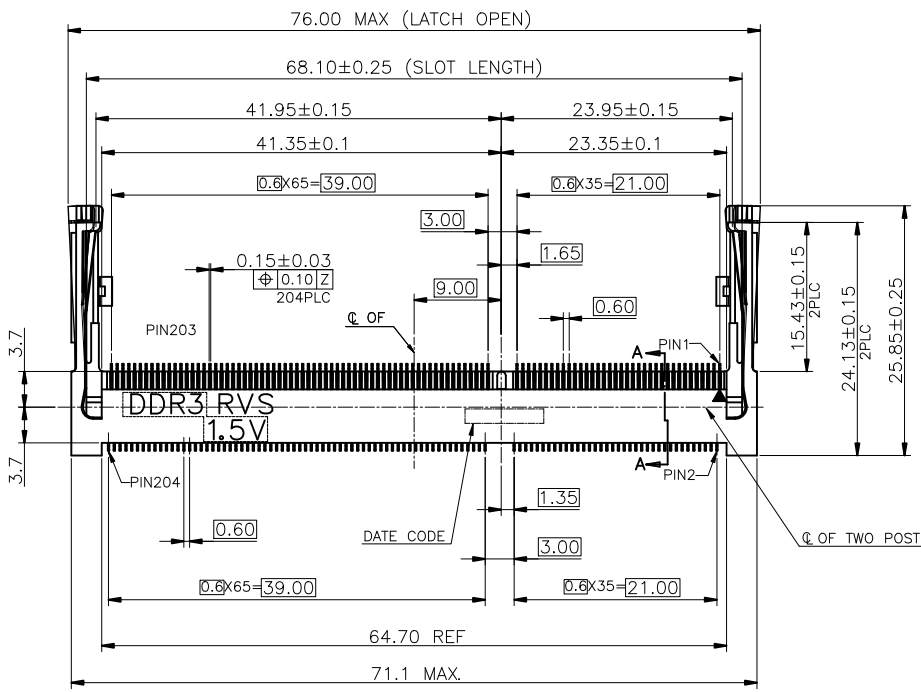
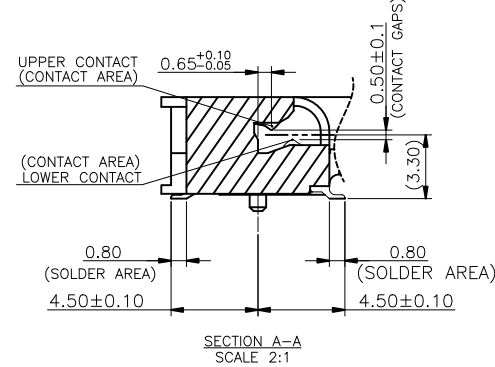
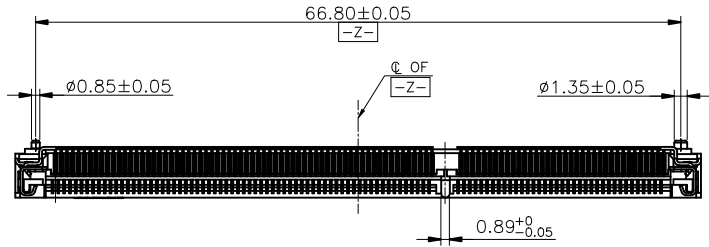
PROPRIETARY INFORMATION  
COMPANY CONFIDENTIAL

REV	ECN. NO.	DESCRIPTION	ENG	DATE
A		INITIAL	Knight	09/17/15'

ORDER INFORMATION

DDSR-24 2A - B K 1 0 R  
① ② ③ ④ ⑤ ⑥ ⑦

- TYPE:  
DDSR-24:DDR SO DIMM 5.2H RVS ASSY
- POSITIONS:  
2A:204 POSITIONS
- INSULATOR MATERIAL:  
B: LCP
- INSULATOR COLOR:  
K: BLACK
- CONTACT PLATING:  
1: GOLD FLASH
- SHIELD PLATING:  
0: NONE SHIELD
- PACKING  
R: TAPE&REEL



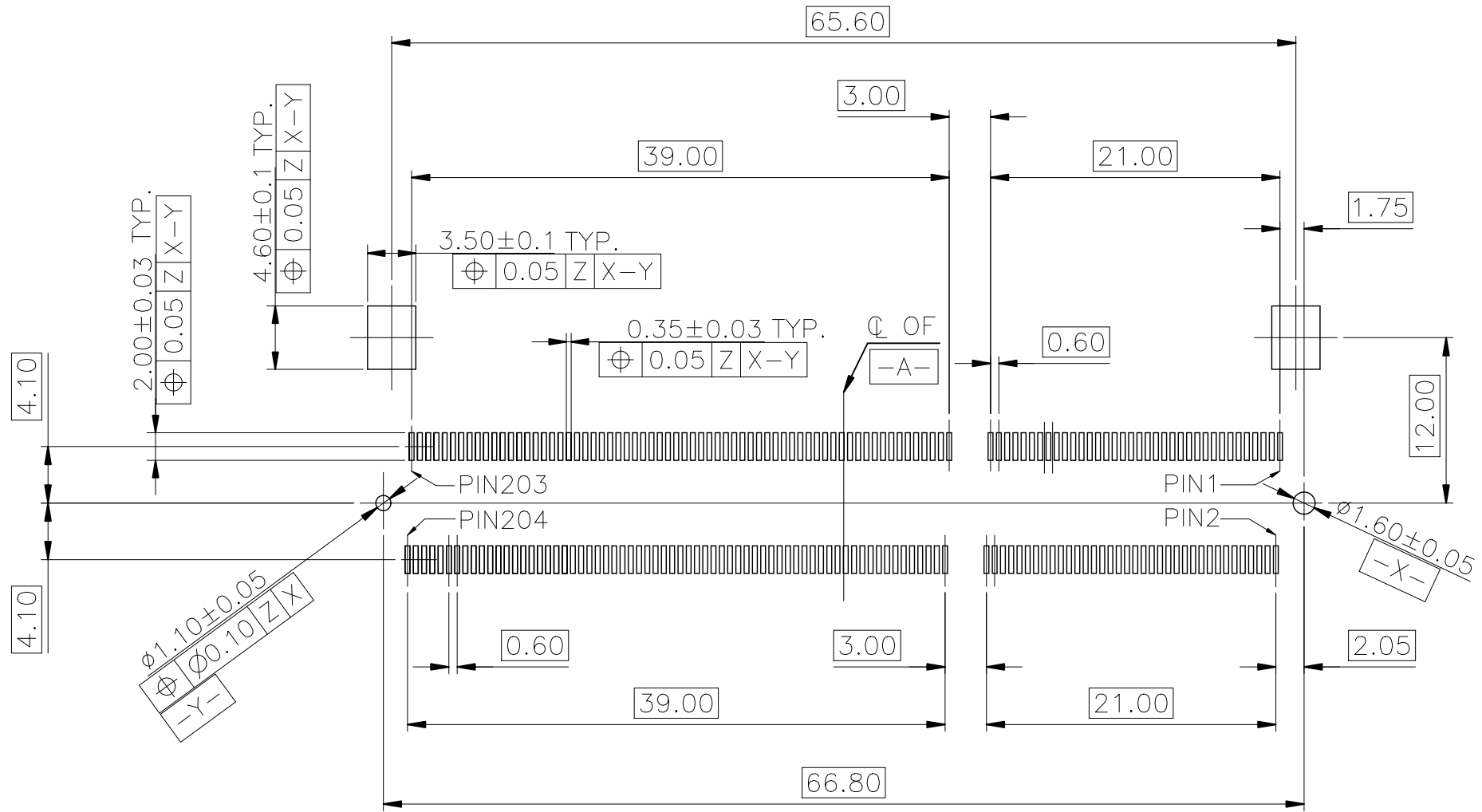
ITEM	NAME	Q'TY	DESCRIPTION	NOTE
4	PEG	1	SUS,Au 2u" MIN PLATING SOLDER AREA,NICKEL 50u" MIN UNDER PLATING OVERALL	
3	LATCH	2	SUS	
2	CONTACT	204	PHOSPHOR BRONZE,GOLD FLASH PLATING ON CONTACT AREA,Au 2u" MIN PLATING SOLDER AREA,NICKEL 50u" MIN UNDER PLATING OVERALL	
1	HOUSING	1	LCP+15%G.F	BLACK, UL94 V-0

GENERAL TOLERANCE X±0.50 .X±0.38 .XX±0.25 .XXX±0.15	ANGLE TOLERANCE X°±5.0° .X°±3.0° .XX°±2.0° .XXX°±1.0°	DRAWN <i>knighe</i>	DATE 09/17/15'
MATL SEE BOM	FINISH SEE NOTES	CHECKED	DATE
SCALE N/A	UNIT mm	APPROVED <i>River</i>	DATE 09/17/15'
SHEET 1 OF 3			

<b>GENESIS TECHNOLOGY, INC.</b>	
TITLE: DDR SO DIMM 5.2H RVS ASSY	
PART NUMBER: DDSR-242A-BK10R	
DRAWING NO. GT26-210625	SIZE A4 REV. A

PROPRIETARY INFORMATION  
COMPANY CONFIDENTIAL

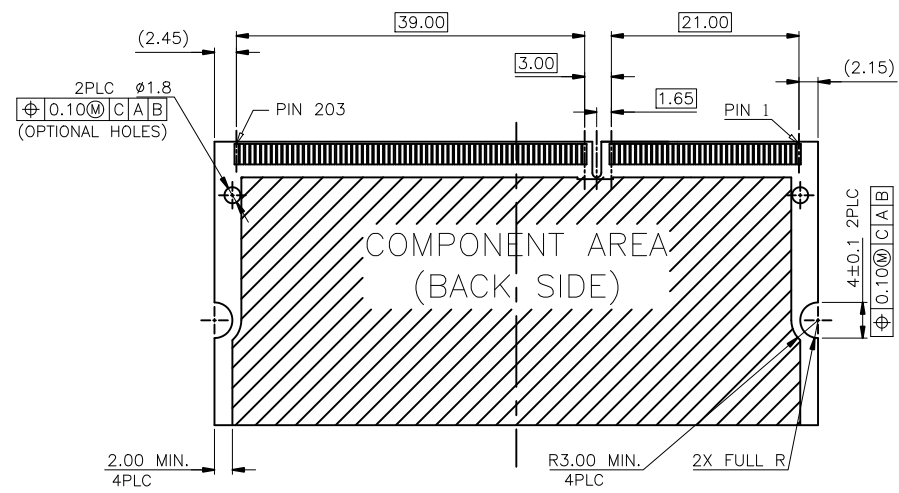
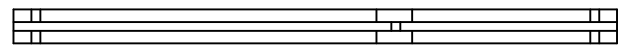
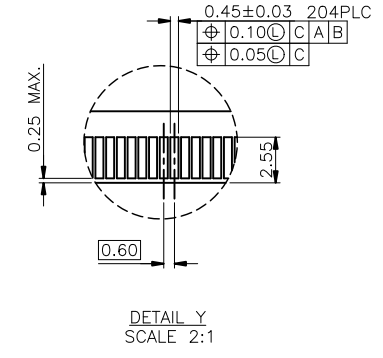
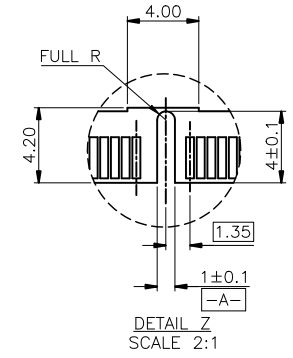
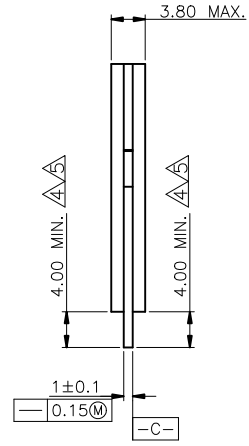
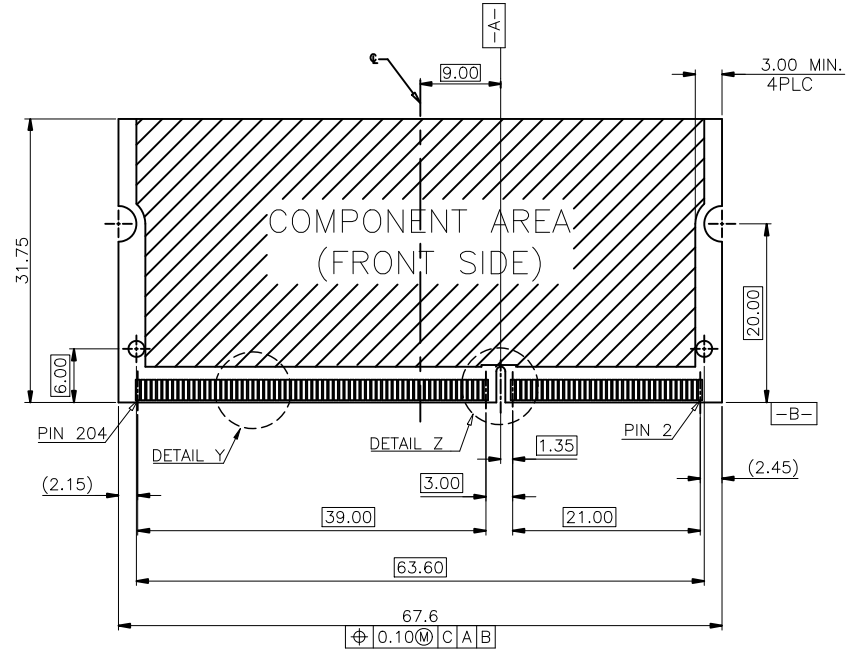
REV.	ECN. NO.	DESCRIPTION	ENG	DATE
A		INITIAL	Knight	09/17/15'



RECOMMENDED PCB LAYOUT

REVERSE TYPE

<b>GENERAL TOLERANCE</b> X ± 0.50 .X ± 0.38 .XX ± 0.25 .XXX ± 0.15		<b>ANGLE TOLERANCE</b> X° ± 5.0° .X° ± 3.0° .XX° ± 2.0° .XXX° ± 1.0°		<b>DRAWN</b> <i>hugue</i>	<b>DATE</b> 09/17/15'		<b>TITLE</b> DDR SO DIMM 5.2H RVS ASSY	
<b>MATL</b> SEE BOM		<b>FINISH</b> SEE NOTES		<b>CHECKED</b>	<b>DATE</b>		<b>PART NUMBER</b> DDSR-242A-BK10R	
<b>SCALE</b> N/A	<b>UNIT</b> mm	<b>APPROVED</b> <i>River</i>		<b>DATE</b> 09/17/15'	<b>DRAWING NO.</b> GT26-210625		<b>SIZE</b> A4 <b>REV.</b> A	
<b>SHEET</b> 2 OF 3								



RECOMMENDED MATING P.C.B CONFIGURATION

NOTE:

1. TOLERANCES ON ALL DIMENSIONS ±0.15 UNLESS OTHERWISE SPECIFIED.
2. P.C.BOARD THICKNESS APPLIES ACROSS TABS AND INCLUDES PLATING AND/OR MENTAIZATION.
3. FINISH OF PAD:GOLD PLATING 0.00076MIN OVER Ni PLATING 0.002MIN.
4. DIMENSIONS APPLICABLE WHEN COMPONENTS MOUNTED ON BOTH SIDE.
5. PCB THICKNESS NOT TO BE EXCEEDED OUTSIDE OF COMPONENT AREA.
6. REFER TO JEDEC SPEC. MO-268 FOR COMPLETEMODULE.

GENERAL TOLERANCE X ± 0.50 .X ± 0.38 .XX ± 0.25 .XXX ± 0.15	ANGLE TOLERANCE X° ± 5.0° .X° ± 3.0° .XX° ± 2.0° .XXX° ± 1.0°	DRAWN <i>highe</i> DATE 09/17/15'	 TITLE DDR SO DIMM 5.2H RVS ASSY PART NUMBER DDSR-242A-BK10R DRAWING NO. GT26-210625 SIZE A4 REV. A
MATL SEE BOM	FINISH SEE NOTES	CHECKED DATE	
SCALE N/A	UNIT mm	APPROVED <i>River</i> DATE 09/17/15'	
SHEET 3 OF 3			