

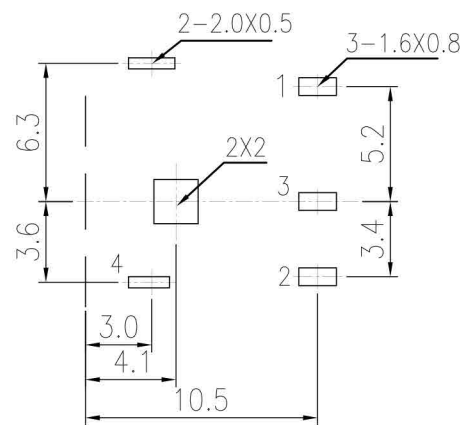
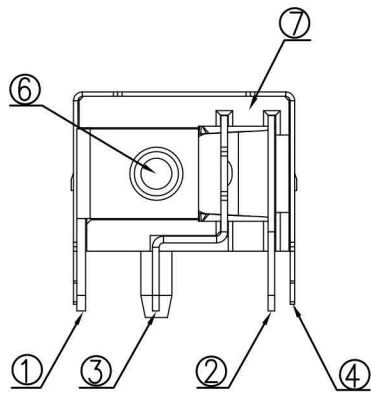
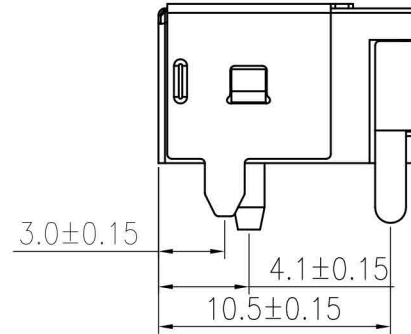
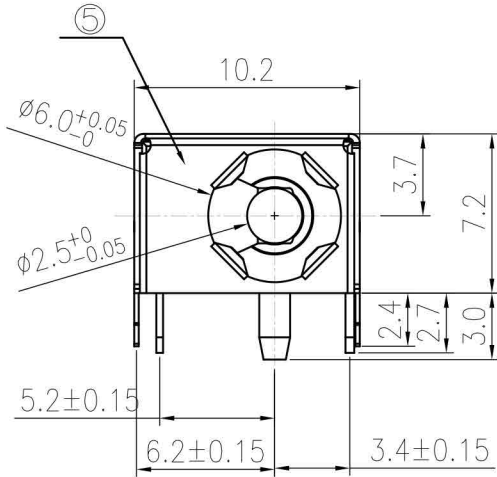
PROPRIETARY INFORMATION
COMPANY CONFIDENTIAL

REV.	ECN. NO.	DESCRIPTION	ENG	DATE
A		INITIAL	Knight	07/31/14'

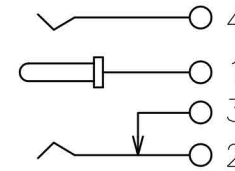
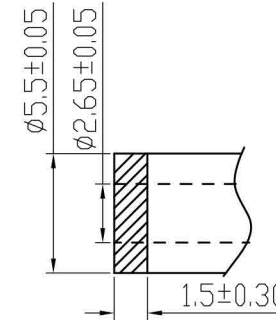
NOTE:

SPECIFICATIONS:

- ELECTRICAL CHARACTERISTICS:
 - 1-1. RATING: DC 12V 5A
 - 1-2. CONTACT RESISTANCE: 30mΩ MAX.(INITIAL)
 - 1-3. DIELECTRIC WITHSTANDING VOLTAGE: 500V AC FOR ONE MINUTE
 - 1-4. INSULATION RESISTANCE: 100MΩ MIN. MEASURED BY 500V DC
- MECHANICAL CHARACTERISTICS:
 - 2-1. INSERTION FORCE : 0.3~3.0 KGF
 - 2-2. WITHDRAWAL FORCE : 0.3~3.0 KGF
- LIFE TEST: 5,000 CYCLES MIN.
- FOR REFLOW SOLDERING LEAD-FREE PROCESS.



PCB LAYOUT TOP VIEW



CIRCUIT DIAGRAM

ORDER INFORMATION:

DCJR-2A05-FKC3R
① ② ③④⑤⑥

- TYPE
DCJR 2A: DC POWER JACK
- POSITIONS
05: 5 POSITIONS
- INSULATOR MATERIAL
F:PA9T
- INSULATOR COLOR
K:BLACK
- CONTACT PLATING
C:Ag10u"
- SHIELD PLATING
3:NICKEL PLATED
- PACKING
R:TAPE

ITEM	NAME	Q'TY	DESCRIPTION	NOTE
7	HOUSING	1	PA9T+30%GF	UL94V-0, BLACK
6	PIN	1	H65	Ni 60u"-Plated
5	TERMINAL 5	1	SUS 301 t=0.1	Ni 60u"-Plated
4	TERMINAL 4	1	BRASS t=0.2	Ni 60u"-Plated
3	TERMINAL 3	1	BRASS t=0.3	Ag10u"/Ni 50u" PLATED
2	TERMINAL 2	1	PHOSPHOR BRONZE t=0.3	Ag10u"/Ni 50u" PLATED
1	TERMINAL 1	1	BRASS t=0.4	Ag10u"/Ni 50u" PLATED

GENERAL TOLERANCE	ANGLE TOLERANCE
X.± 0.50	X°± 5.0°
.X± 0.38	.X°± 3.0°
.XX± 0.25	.XX°± 2.0°
.XXX± 0.15	.XXX°± 1.0°

DRAWN	DATE
Knight	07/31/14'
CHECKED	DATE
APPROVED	DATE
River	07/31/14'

GENESIS TECHNOLOGY, INC.	
TITLE:	DC POWER JACK
PART NUMBER:	DCJR-2A05-FKC3R
DRAWING NO.	GT23-210180
SIZE	AA
REV.	A