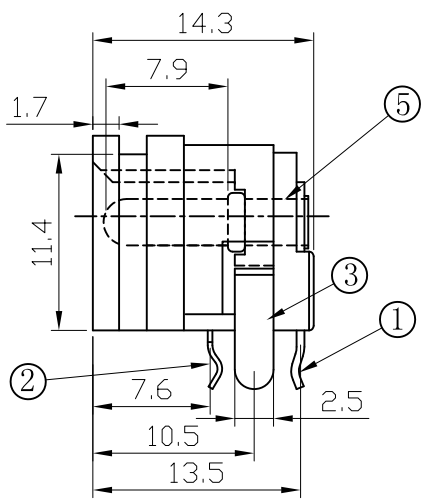
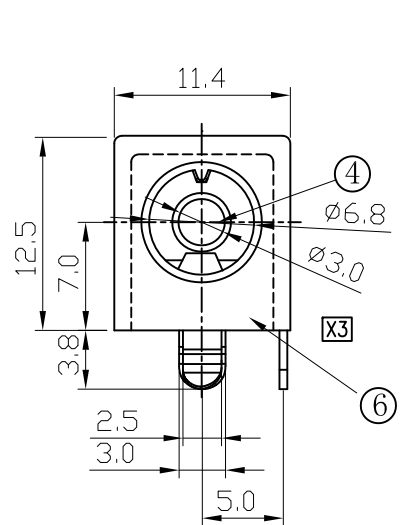
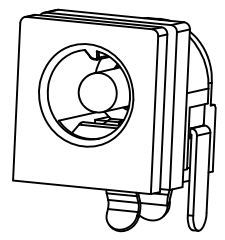


REV.	ECN. NO.	DESCRIPTION	ENG	DATE
X1		INITIAL	AXL	1/6/2014
X2		EDIT NOTES AND PN	AXL	2/4/2014
X3		UPDATED DRAWING	SUN	2/24/2014



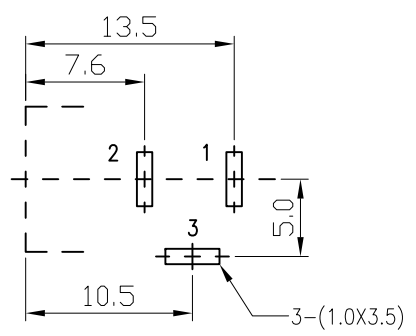
- Notes:
- Electrical:
 - Voltage Rating: 24V DC.
 - Current Rating: 8.5 Amperes DC.
 - Insulation Resistance: 100M ohms min.
 - Dielectric Withstand Voltage: 500V AC/RMS 1 minute.
 - Contact Resistance: 30 m ohms max initial.
 - RoHS 6/6 Compliant.
 - MATED WITH DCJR-4201.
 - Powered Insertion Test: 500 cycles per Product Specification.



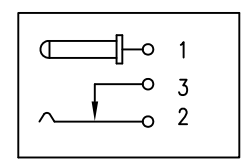
PART. NUMBER

X2 DCJR-1U 01-A K B 0 P 3R
 ① ② ③ ④ ⑤ ⑥ ⑦ ⑧

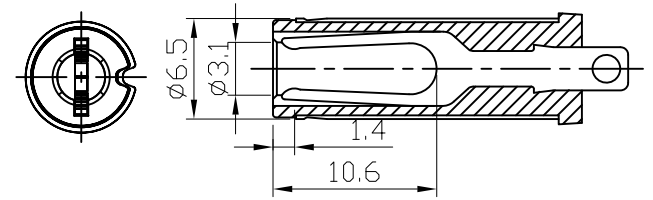
- CONNECTOR:
DCJR: DC JACK
- TYPE
1U: CENTER PIN OD 3.0mm, WITH BUMP
- POSITIONS
01: 01 POSITION
- INSULATOR MATERIAL
A: PBT
- INSULATOR COLOR
K: BLACK
- CONTACT PLATING
B: NICKEL PLATING
- SHIELD PLATING
0: NONE SHIELD
- PACKING
P: PE BAG



RECOMMENDED PCB LAYOUT
TOLERANCE: ±0.05mm



SCHEMATIC DIAGRAM



RECOMMENDED PLUG

ITEM	NAME	Q'TY	DESCRIPTION	NOTE
6	BODY	1	PBT+20%G.F.	BLACK, UL 94V-0
5	COVER	1	PBT+20%G.F.	BLACK, UL 94V-0
4	CENTER PIN	1	BRASS	Ni 30u" PLATED
3	SHUNT	1	BRASS	Ag 10u" over Ni 30u" PLATED
2	GROUNDING CONTACT	1	PHOSPHOR BRONZE	Ag 10u" over Ni 30u" PLATED
1	TERMINAL	1	BRASS	Ag 10u" over Ni 30u" PLATED

GENERAL TOLERANCE	ANGLE TOLERANCE
X.±	X'±
.X±0.40	.X'±
.XX±0.30	.XX'±
.XXX±0.20	.XXX'±

DRAWN	DATE
SUN	2/26/2014
DESIGN	DATE
CHECKED	DATE
APPROVED	DATE

GENESIS TECHNOLOGY, INC.	
TITLE:	DC JACK WITH BUMP
PART NUMBER:	DCJR-1U01-AKB0P3R X2
DRAWING NO.	GT23-300290
SIZE	A4
REV.	X3

SCALE	UNIT
N/A	mm
SHEET	OF
1	1