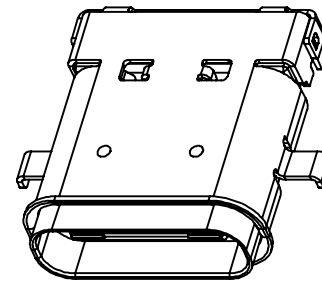
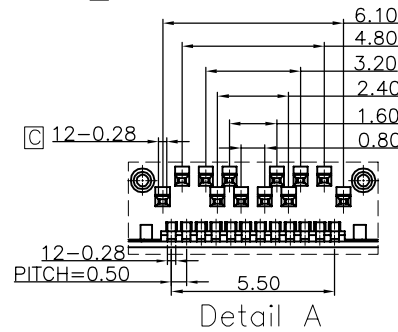
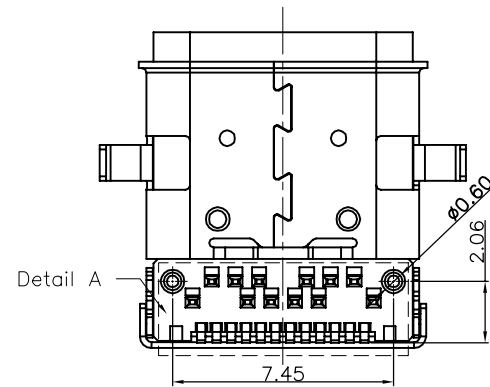
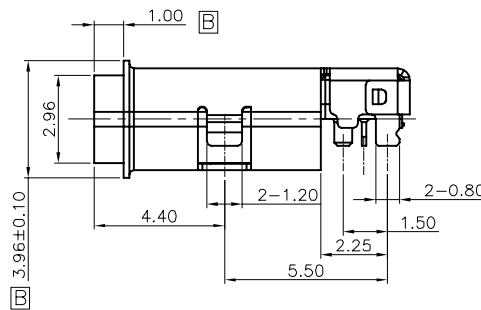
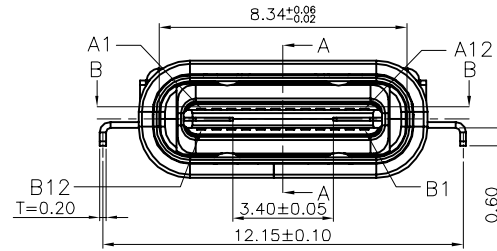
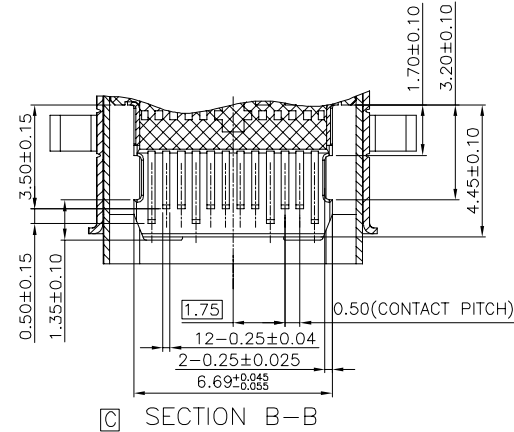
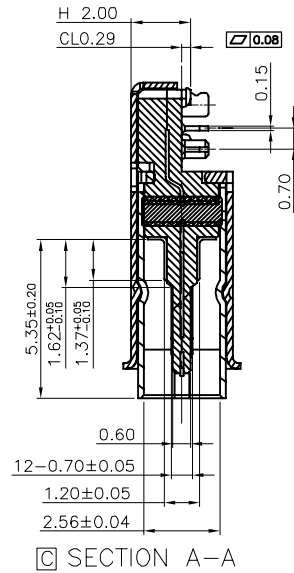
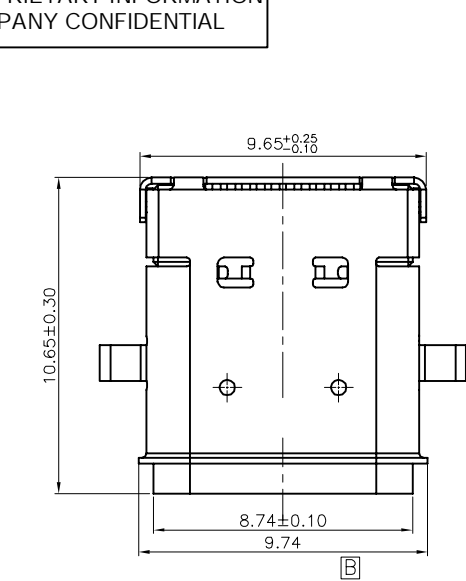


PROPRIETARY INFORMATION  
COMPANY CONFIDENTIAL

REV.	ECN. NO.	DESCRIPTION	ENG	DATE
A		INITIAL	Knight	3/03/16'
B		add cosmetic hole	River	5/18/16'
C		Add View	Hunter	4/07/17'

NOTE:

- ELECTRICAL CHARACTERISTICS;
  - CONTACT RESISTANCE: 40mΩ Max FOR INITIAL.  
10mΩ CHANGE AFTER TEST.  
MEASURE AT 20mV, 100mA.
  - CONTACT CURRENT RATING: 5A FOR VBUS PIN;  
1.25A FOR VCONN PIN.
  - DIELECTRIC WITHSTANDING VOLTAGE: 100V AC R.M.S.
  - INSULATION RESISTANCE 100MΩ Min
  - OPERATING TEMPERATURE: -40°C ~ 85°C
- MECHANICAL CHARACTERISTICS:
  - MATING FORCE: 5~20 N.
  - UNMATED FORCE: 8~20N AFTER TEST
  - DURABILITY: 10,000 CYCLES
- WATER PROOFNESS: THIS PRODUCT IS BASED ON IP67.
- Package: T&R.



Pin	Signal Name	Mating Sequence	Pin	Signal Name	Mating Sequence
A1	GND	First	B12	GND	First
A2	SSTXp1	Second	B11	SSRXp1	Second
A3	SSTXn1	Second	B10	SSRXn1	Second
A4	VBUS	First	B9	VBUS	First
A5	CC1	Second	B8	SBU2	Second
A6	Dp1	Second	B7	Dn2	Second
A7	Dn1	Second	B6	Dp2	Second
A8	SBU1	Second	B5	CC2	Second
A9	VBUS	First	B4	VBUS	First
A10	SSRXn2	Second	B3	SSTXn2	Second
A11	SSRXp2	Second	B2	SSTXp2	Second
A12	GND	First	B1	GND	First
SHELL	GND		SHELL	GND	

GENERAL TOLERANCE	ANGLE TOLERANCE	DRAWN	DATE
X.± 0.50	X°± 5.0°	Hunter	4/07/17'
.X± 0.38	.X°± 3.0°	CHECKED	DATE
.XX± 0.25	.XX°± 2.0°	Lucky	4/07/17'
.XXX± 0.15	.XXX°± 1.0°	APPROVED	DATE
		Lucky	4/07/17'

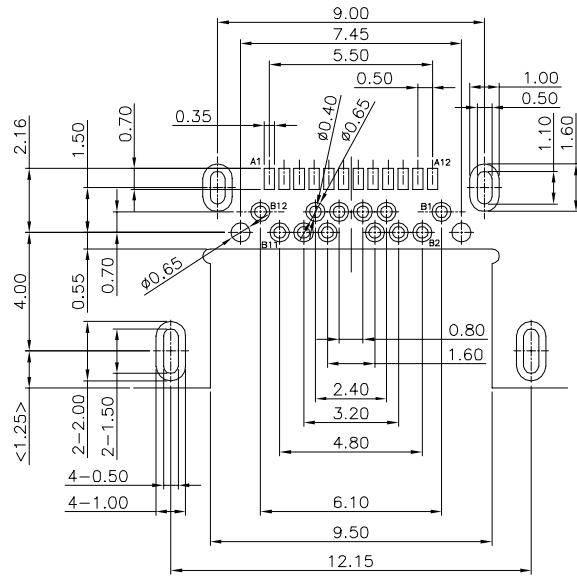
<b>genesis</b> connected solutions	
TITLE: USB 3.1 CF WATERPROOF CLO.29 H2.00mm DIP TYPE	
PART NUMBER: 260-10004-01	
DRAWING NO. 260-10004	SIZE A4 REV. C

ITEM	NAME	Q'TY	DESCRIPTION
3	OUT SHELL	1	SUS, NICKEL 40u" PLATING OVERALL
2	CONTACT	24	BRASS, GOLD FLASH PLATING ON CONTACT AREA, TIN 60u" MIN PLATING SOLDER AREA, NICKEL 40u" MIN UNDER PLATING OVERALL
1	HOUSING	1	LCP

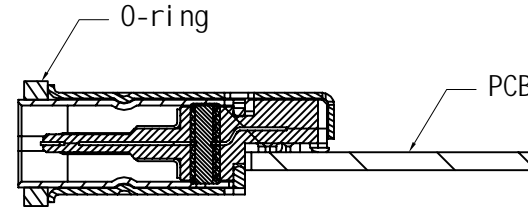
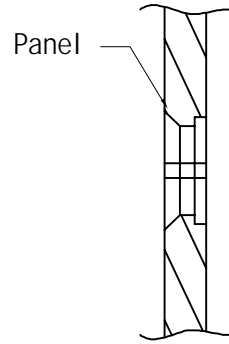
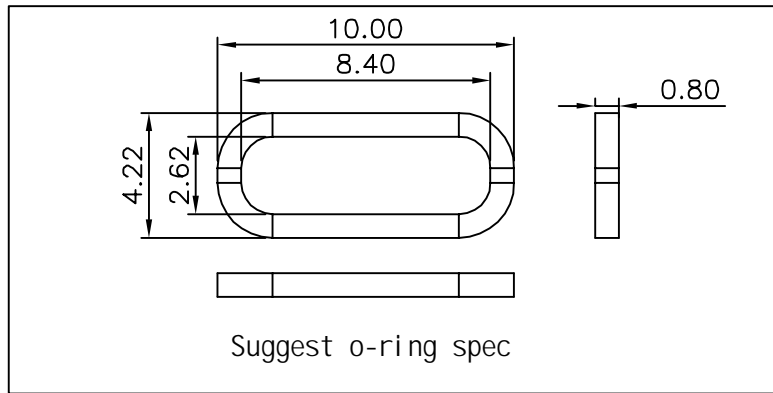
BLACK, UL94 V-0  
NOTE

PROPRIETARY INFORMATION  
COMPANY CONFIDENTIAL

REV.	ECN. NO.	DESCRIPTION	ENG	DATE
A		INITIAL	Knight	3/03/16'
B		add cosmetic hole	River	5/18/16'
C		Add View	Hunter	4/07/17'



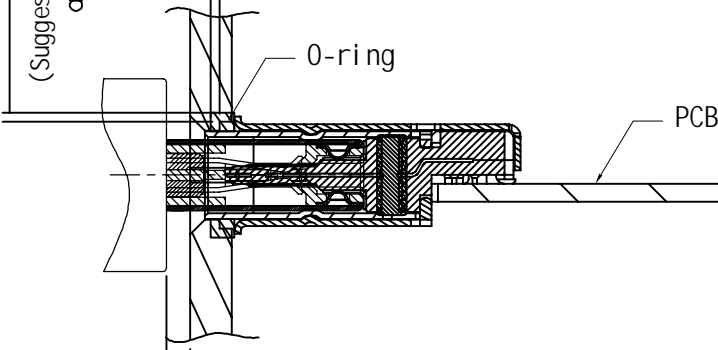
RECOMMEND P.C.B LAYOUT (COMPONENT SIDE)  
TOLERANCE FOR PCB LAYOUT IS  $\pm 0.05$   
KEEP OUT AREA



Assemble direct

Panel press o-ring interfere  
0.30mm Min.  
(Suggest amount of compression  
about 40-50% o-ring)

Panel press o-ring interfere 0.30mm Min.  
(Suggest amount of compression about 40-50% o-ring)



0.80Min  
Assemble panel schematic diagram

GENERAL TOLERANCE X. $\pm 0.50$ .X $\pm 0.38$ .XX $\pm 0.25$ .XXX $\pm 0.15$	ANGLE TOLERANCE X° $\pm 5.0^\circ$ .X° $\pm 3.0^\circ$ .XX° $\pm 2.0^\circ$ .XXX° $\pm 1.0^\circ$	DRAWN Hunter	DATE 4/07/17'	 TITLE: USB 3.1 CF WATERPROOF CL0.29 H2.00mm DIP TYPE PART NUMBER. 260-10004-01
MATL SEE BOM	FINISH SEE NOTES	CHECKED Lucky	DATE 4/07/17'	
SCALE N/A	UNIT mm	APPROVED Lucky	DATE 4/07/17'	DRAWING NO. 260-10004
SHEET 2 OF 2				SIZE A4 REV. C