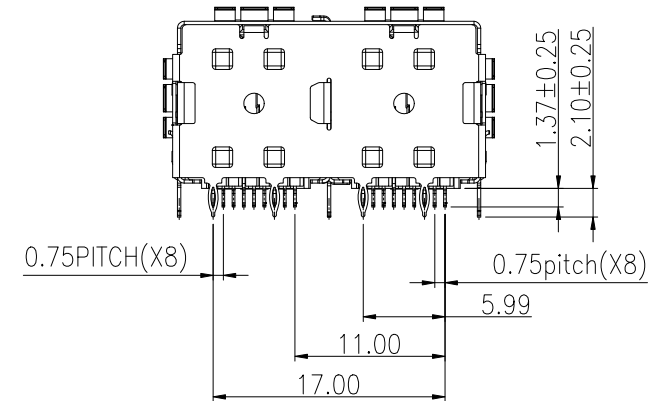
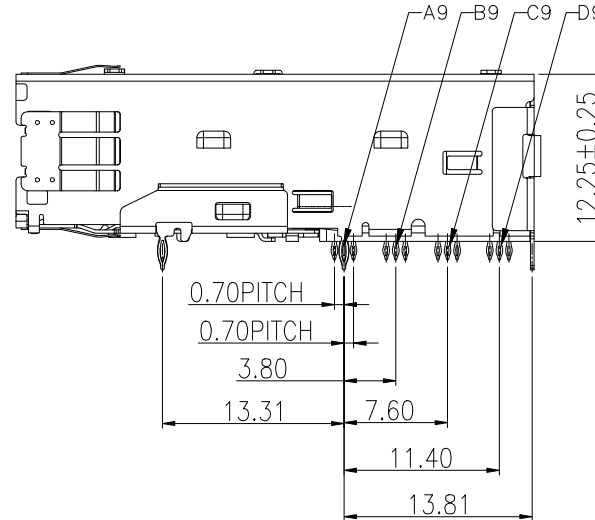
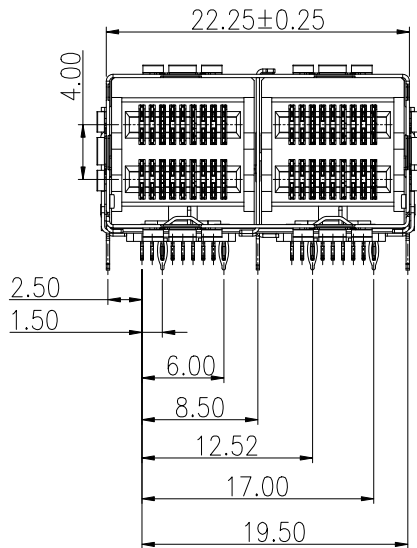
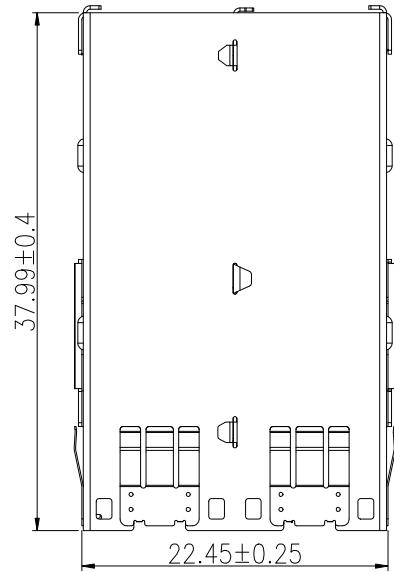


PROPRIETARY INFORMATION
COMPANY CONFIDENTIAL

REV.	ECN. NO.	DESCRIPTION	ENG	DATE
A		INITIAL	Sun	3/18/2016



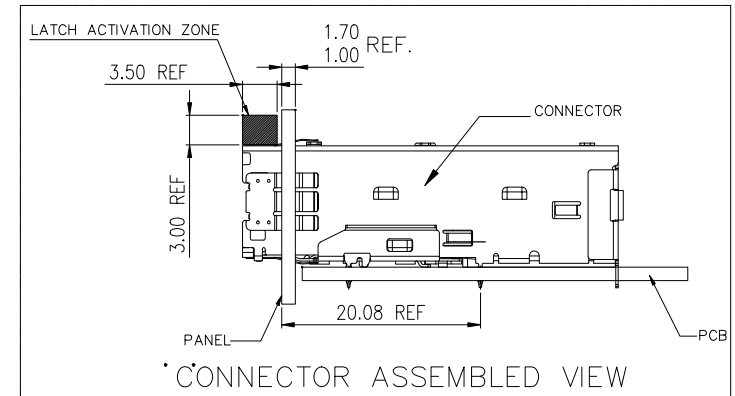
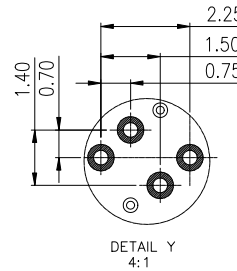
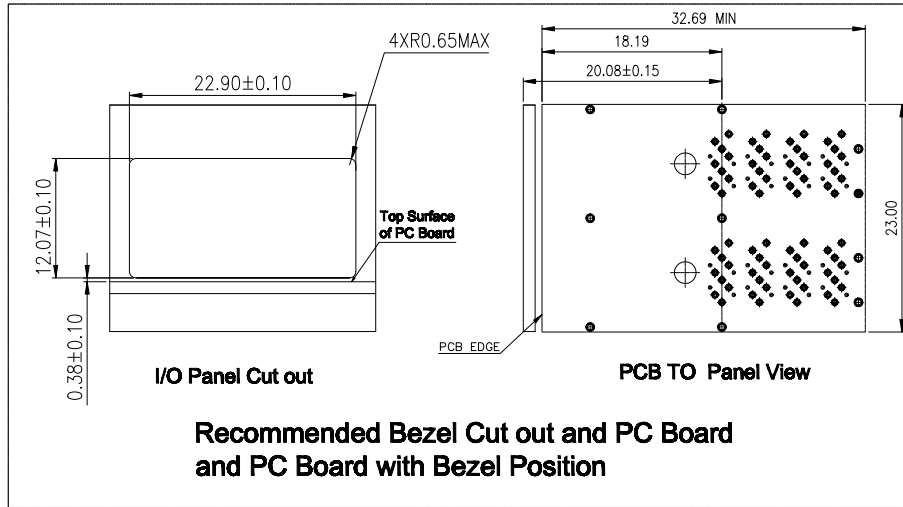
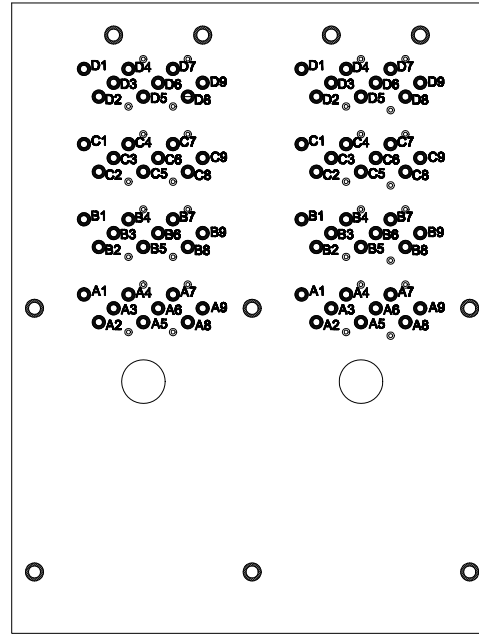
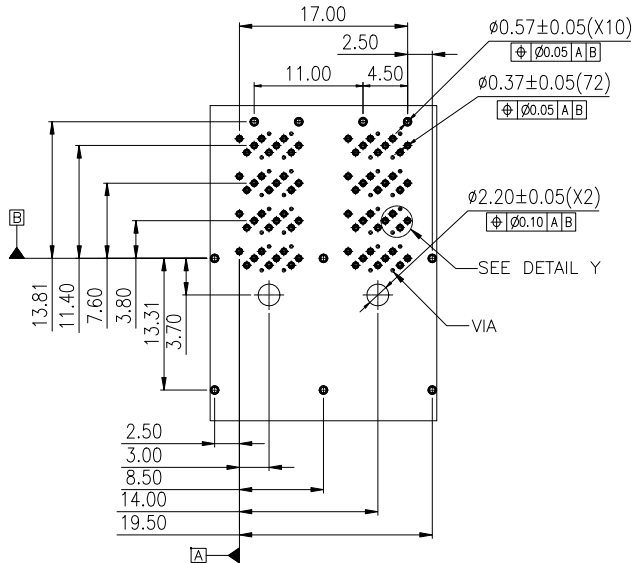
3	SHEEL	1	COPPER ALLOY
2	TERMINAL	36	PHOSPHOR COPPER,GOLD 30u" ON CONTACT AREA,MATTE TIN 100u" ON SOLDER AREA,60u" NICKEL UNDER PLATING OVERALL
1	HOUSING	1	LCP,COLOR BLACK
ITEM	NAME	Q'TY	DESCRIPTION

UL94-V0
NOTE

GENERAL TOLERANCE	ANGLE TOLERANCE
X.±0.50	X'± 5.0°
.X±0.38	.X'± 3.0°
.XX±0.25	.XX'± 2.0°
.XXX±0.15	
MATL	SEE BOM
FINISH	SEE NOTES
SCALE	N/A
SHEET	1 OF 2
UNIT	mm

DRAWN	DATE
Sun	3/18/16'
CHECKED	DATE
APPROVED	DATE
River	3/18/16'

GENESIS TECHNOLOGY, INC	
TITLE:MINI SAS HD CONN/GAGE 1*2 DIP TYPE.	
PART NUMBER. 230-10013-01	
DRAWING NO.	SIZE
230-10013	A4
REV.	A



GENERAL TOLERANCE X. ± 0.50 .X ± 0.38 .XX ± 0.25 .XXX ± 0.15	ANGLE TOLERANCE X° ± 5.0° .X° ± 3.0° .XX° ± 2.0°	DRAWN Sun 3/18/16'	DATE	 TITLE: MINI SAS HD CONN/GAGE 1*2 DIP TYPE. PART NUMBER: 230-10013-01
MATL SEE BOM	FINISH SEE NOTES	CHECKED	DATE	
SCALE N/A	UNIT mm	APPROVED River 3/18/16'	DATE	DRAWING NO. 230-10013
SHEET 2 OF 2				SIZE A4 REV. A